

## Portable CamBar®

### 650 Series

Models BAR650 – Economy System

BAR650DS – Economy System (Designer Decor)

#### Features & Benefits

- Engineered to fit in standard elevators to be easily moved between locations. Ideal for suites and smaller gatherings.
- Molded high-density polyethylene is impact resistant and easy to clean. Won't dent, crack, rust, chip or break.
- Reinforced aluminum chassis and polyurethane structural foam core ensures unsurpassed strength.
- One ice sink, 80 lb. (36,3 kg.) capacity with slide back cover for optimum sanitation.
- One waste water bin that fits under the ice sink for easy access for emptying.
- One vinyl cover for storage.
- One retainer strap for securing boxes 17.5" (44,45 cm) or higher from falling out during transportation.
- Four each 6" (15,24 cm) swivel casters, two with brakes, for smooth transport across carpet, cement or grass.
- Unique detachable front lifts off, giving complete access to all storage areas for inventory and cleaning or routing soda lines, tubes and hoses.
- Oversized seven-bottle speed rail with towel grips is standard with all models. Detaches for easy cleaning. Built-in partitions keep bottles separated to prevent breakage.
- Non-electric.
- No assembly required.
- Available in 10 color and decor combinations.
- Designer Series offers a decorative counter, front and side panels for an upgraded appearance. Panels are made from thermoformed ABS plastic with a clear finish for UV, scratch and chemical resistance. Counter is a granite pattern over a fiberglass composite structure.

Item No. \_\_\_\_\_

Specifier Identification No. \_\_\_\_\_

Model No. \_\_\_\_\_

Quantity \_\_\_\_\_



BAR650

#### Designer Decor Colors



Manhattan (667)

Black base and coal countertop with brushed pewter panels.



Sedona (668)

Granite Sand base and Cocoa countertop with light burlwood panels.



Carmel (669)

Black base and coal countertop with dark burlwood panels.



Chicago (770)

Black base and coal countertop with smooth brushed pewter panels.

# Portable CamBar®

## 650 Series

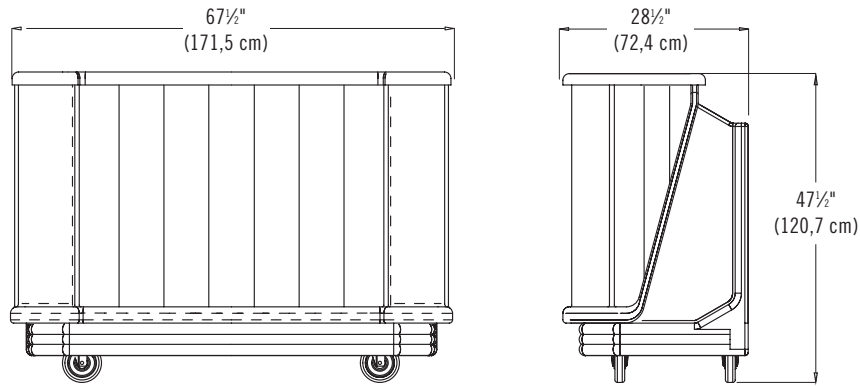
Models BAR650 – Economy System  
BAR650DS – Economy System (Designer Decor)

Item No. \_\_\_\_\_

Specifier Identification No. \_\_\_\_\_

Model No. \_\_\_\_\_

Quantity \_\_\_\_\_



BAR650 / BAR650DS

### Specifications

Dimension Tolerance: +/- 1/4" (0,64 cm)

Code	Description	Overall Dimensions L x D x H	Unit Weight lbs. / kg	Case lbs. (Cube)/ Case kg. (M³)
BAR650	One system equipped for bottle, can or mixer service.	67½" x 28½" x 47½" (171,5 x 72,4 x 120,7 cm)	172.42 / 78,5	202 (52.88) 91,6 (1,5)
BAR650DS	One system equipped for bottle, can or mixer service. (Designer Decor Color)	67½" x 28½" x 47½" (171,5 x 72,4 x 120,7 cm)	219.42 / 99,8	249 (52.88) 112,9 (1,5)

### Optional Accessories

- Wire Shelving  650WS
- Retaining Strap  730STP (1 each with CamBar)
- Retaining Chain for CO<sub>2</sub> canisters  730CHN (1 each with CamBar)
- Seven-Bottle Speed Rail  730SR (1 each with CamBar)
- Five-Bottle Speed Rail  BAR54SR (1 each with CamBar)

### Standard Colors

- Black (110)
- Granite Gray (191)
- Granite Sand (194)
- Two-Tone Brown Mahogany (189)
- Granite Gray with Black Base (420)
- Granite Green with Black Base (421)

### Speed Rail Colors (If ordered separately from CamBar.)

- Black (110)
- Gray (180)\*
- Slate Blue (401)\*
- Dark Brown (131)
- Granite Gray (191)
- Coffee Beige (157)\*
- Granite Sand (194)

### Designer Decor Colors

- Manhattan (667)
- Carmel (669)
- Sedona (668)
- Chicago (770)

\* Colors are only available for BAR54SR.

### Architect Specs

The portable bar shall be a CamBar650 Series, manufactured by Cambro Mfg. Co., Huntington Beach, CA 92648 U.S.A. It shall be a Cambro Model constructed of molded high-density polyethylene and foam-injected polyurethane with a built-in bumper. It shall have 4 each 6" (15,24 cm) swivel casters, 2 with brakes, on an aluminum chassis. It shall have an oversized, 7-bottle partitioned speed rail with towel grips, a waste-water bin and an 80 lb (36,3 kg.) ice sink and slide-back cover. It shall have 1 retainer strap and 1 vinyl cover. It shall have a detachable front that lifts off. All models shall be available in 10 color and decor combinations.



© Cambro Manufacturing Company 5801 Skylab Road, Huntington Beach, California 92647-2056-U.S.A.  
Telephone 714 848 1555 Toll Free 800 854 7631 Customer Service 800 833 3003