

Camdollies®

For Camtainers®, Ultra Camtainers® and Camcarriers®

With Handle

Models CD300H, CD300HB



Features & Benefits

- Make any job easier by smoothly transporting stacks of beverage and food carriers with these rugged and reliable Camdollies!
- Both Camdollies will carry the following products:
 - Camtainer - Model 1000LCD
 - Ultra Camtainer - Model UC1000
 - Camcarriers- Models 300MPC, 1318MTC
- Load capacity for both models is 350 lbs. (159 Kg.).
- One-piece seamless, double-wall, high-density polyethylene construction is extremely durable. Won't rust or corrode.
- Rounded corners protect walls, equipment, and furniture from damage.
- Easy to clean - can be wiped down or steam cleaned.
- Foamed-in-place polyurethane core adds greater structural strength and reduces noise.
- Molded-in handle is sturdy and provides controlled handling and maneuvering. Won't bend or break.
- Heavy-duty casters are bolted into molded-in steel plates to ensure they won't fall out! Provides quiet service and greater durability when fully loaded.
 - Model CD300H - Four each 5" (12,7 cm) casters, 2 fixed, 2 swivel, 1 w/ brake
 - Model CD300HB - Two each rear 10" (25,4 cm) Easy Wheels and 2 each 5" (12,7 cm) swivel casters, 1 w/ brake
- No assembly required.
- Available in 7 colors.

Item No. _____

Specifier Identification No. _____

Model No. _____

Quantity _____



For Camcarriers
(1318MTC)



For Camcarriers
(300MPC)



CD300H



CD300HB

10" (25,4 cm)
Easy Wheels

Approvals



Camdollies®

For Camtainers®, Ultra Camtainers® and Camcarriers®

With Handle

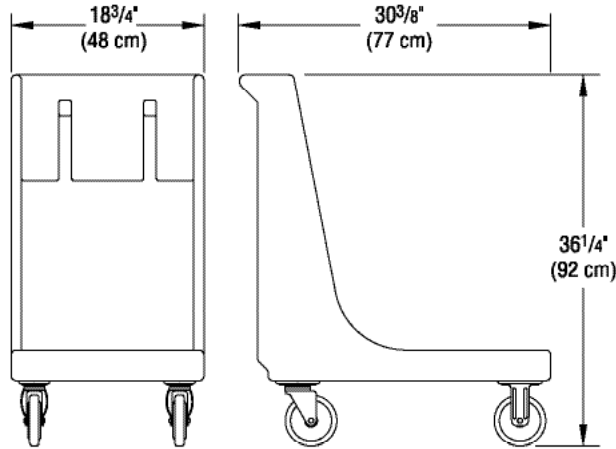
Models CD300H, CD300HB

Item No. _____

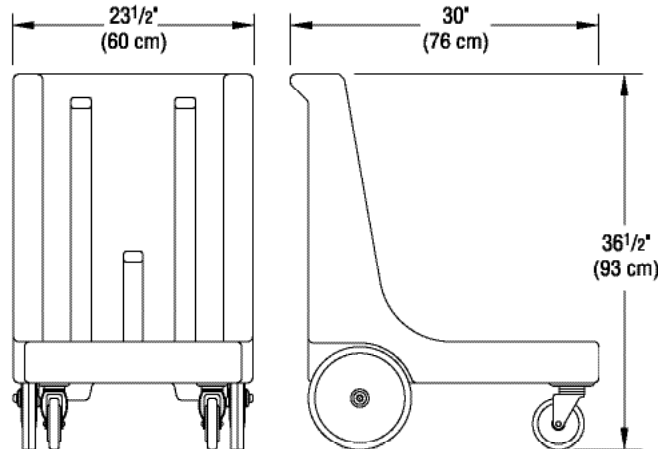
Specifier Identification No. _____

Model No. _____

Quantity _____



CD300H



CD300HB

Specifications

Dimension Tolerance: +/- 1/4" (0,64 cm)

Code	Description	Load Capacity	Interior Dimensions W x L	Exterior Dimensions L x W x H	Case lbs./cube Kg/m ³
CD300H	Camdolly	350 lbs. (159 Kg.)	16 ^{5/8} " x 23 ^{3/8} " (43 x 60 cm)	30 ^{3/8} " x 18 ^{3/4} " x 36 ^{1/4} " (77 x 48 x 92 cm)	33 (12.07) 15 (0,34)
CD300HB	Camdolly	350 lbs. (159 Kg.)	17 ^{1/4} " x 23 ^{3/8} " (44 x 60 cm)	30" x 23 ^{1/2} " x 36 ^{1/2} " (76 x 60 x 93 cm)	46 (18.11) 21 (0,51)

Architect Specs

The Camtainer, Ultra Camtainer, and Camcarrier transport cart with a handle shall be a Camdolly, Cambro Model..., manufactured by Cambro Mfg. Co., Huntington Beach, CA 92648 U.S.A. It shall be constructed of single-molded, seamless, double-wall, high-density polyethylene and thick foam injected polyurethane. It shall be available to accommodate various models of Camtainers, Ultra Camtainers and Camcarriers. It shall have a load capacity range of 350 lbs. (159 Kg.). It shall have rounded corners for added protection. It shall have a molded-in handle. It shall be available with either 4 each 5" (7,6 cm) casters, 2 fixed, 2 swivel, 1 w/ brake, or 2 each rear 10" (25,4 cm) Easy Wheels and 2 each 5" (12,7 cm) swivel casters, 1 w/ brake. The casters shall be bolted into molded-in metal plates. It shall not require any assembly and shall be available in 7 colors.

Standard Colors

- Coffee Beige (157)
- Dark Brown (131)
- Black (110)
- Slate Blue (401)
- Gray (180)
- Brick Red (402)
- Green (519)

Approvals

