

## Camtherm® Plate Heater or Pellet Heater

### Models

#### CHPEL80 – Camtherm Pellet Heater

Holds 80 each 9 1/2" (24 cm) Pellets, 40 per Silo  
(Plastic or Stainless Steel)

#### CHPL100 – Camtherm Plate Heater

Holds 100 each 9" (22,8 cm) to 10 1/2" (26,7 cm) Ceramic Plates, 50 per Silo  
(Holding capacity varies based on type/style of plate)

### Features & Benefits



- For use in healthcare foodservice facilities. Use to heat up and hold plates and pellets hot until ready to dispense for patient hot meal set up and service.
- A fully heated Cambro Thermal Pellet with a 9" (22,8 cm) heated plate, set on a Cambro Shoreline Underliner and topped with a Shoreline Dome, keeps hot food hot and safe for 1 to 1 1/2 hours.
- A thermostatically controlled, 3500-watt convection heating system, with a blower and heating element per silo ensures all plates or pellets are evenly heated from the top to the bottom within each stack.
- Temperature settings are factory set and require no adjusting.  
Plate Heater: 150° – 170°F (65° – 77°C)  
Pellet Heater: 270° – 290°F (132° – 143°C)
- An external display thermostat on end of unit, under handle, indicates unit is on and shows factory set temperature (green) and current temperature (red). When display is blinking, heating elements are active.
- Cabinet is constructed of 201 stainless steel. The top, body and back louvered panel are 18-gauge, the base frame is 12-gauge and the lids are 16-gauge.
- High density, reflective fiber board insulation sealed within the entire cabinet conserves energy and prevents heat migration, keeping plates or pellets hot while keeping the exterior cool and safe to the touch.
- A level, sturdy, 304 stainless steel, rolled tube 16-gauge handle with 12-gauge ends is located at the rear of each heater for easy maneuvering empty or full.
- A self-leveling dispenser and basket in each silo offers easy level access to contents, regardless of how many plates or pellets are loaded. Dispenser base is 12-gauge 201 stainless steel. Plate and pellet basket is NSF compliant zinc-plated mild steel.
- Twenty two springs per silo, made of 302 stainless steel, with a .050" (0,127 cm) wire diameter, require no adjusting and ensure smooth dispensing.
- Dual lids conserve energy and retain heat inside cabinet. Open one lid at a time for filling or dispensing.
- High-temperature silicon lid gaskets and magnetic closers lock in heat.
- Heavy-duty rubber lid handles stay cool to the touch and offer a good grip.
- Louvered back panel removes easily to access internal components and wiring for service and maintenance.
- Four each NSF 5" (12,7 cm) non-marking, heavy load casters (2 fixed in front and 2 swivel with brake in rear) mounted to the cabinet provide smooth and easy maneuvering.
- Wrap-around 1 1/2" (3,8 cm) thick, high density polyethylene black bumper offers added protection.
- A 6' (183 cm) heavy-duty electrical cord with 6-15 NEMA plug stores on a bracket under the handle, when not in use.
- No assembly required.
- Available in Stainless Steel only.

Item No. \_\_\_\_\_

Specifier Identification No. \_\_\_\_\_

Model No. \_\_\_\_\_

Quantity \_\_\_\_\_



**CHPL100**  
Camtherm Plate Heater.



**CHPEL80**  
Camtherm Pellet Heater.

### Approvals



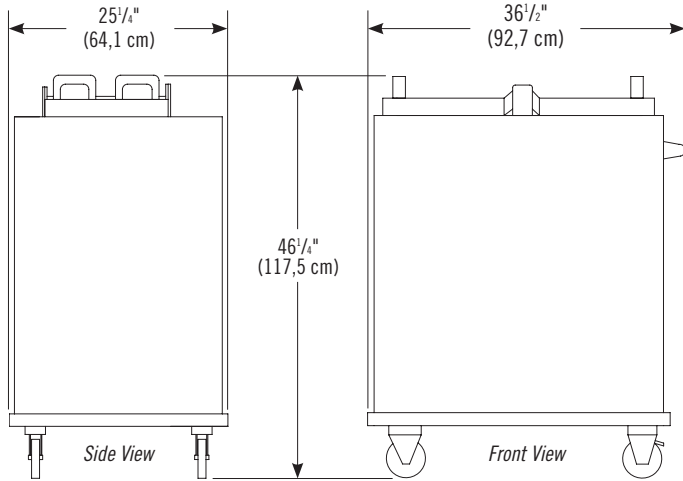


# Camtherm® Plate Heater or Pellet Heater

### Models

**CHPEL80** – Camtherm Pellet Heater  
 Holds 80 each 9 1/2" (24 cm) Pellets, 40 per Silo  
 (Plastic or Stainless Steel)

**CHPL100** – Camtherm Plate Heater  
 Holds 100 each 9" (22,8 cm) to 10 1/2" (26,7 cm) Ceramic Plates, 50 per Silo  
 (Holding capacity varies based on type/style of plate)



### Architect Specs

The stainless steel Camtherm Pellet or Plate Heater, shall be Cambro Model CHPEL80 or CHPL100.

The Pellet Heater model shall hold up to 80 each 9 1/2" (24 cm) plastic or stainless steel pellets. The Plate Heater model shall hold up to 100 each 9" (22,8 cm) to 10 1/2" (26,7 cm) ceramic plates. Each model shall have an external thermostat display located on the rear end of each unit under the handle. The external thermostat shall display the set temperature in green, the current temperature in red and shall blink when the heating system is actively heating the internal cabinet. The Plate Heater shall be factory set at 150° – 170°F (65° – 77°C) and the Pellet Heater shall be factory set at 270° – 290°F (132° – 143°C). Amps shall be 15, voltage/phase shall be 208/240, watts shall be 3500, Hz shall be 50/60. Each model shall have a clearly marked on/off switch located at the rear of each unit. Each model shall have two hinged lids, each with a high-temperature silicon gasket, heavy-duty rubber lid handle and magnetic closer. Each model shall be made of 201 stainless steel. The top, body and back louvered panel shall be 18-gauge, the base frame 12-gauge and the lids 16-gauge. There shall be a 304 stainless steel, rolled tube 16-gauge handle with 12-gauge ends, located at the rear of the cabinet. They shall have 1 1/2" (3,81 cm) high density, reflective fiber board insulation sealed within the entire cabinet. Each model shall have a louvered back panel that removes easily without removing the top of the cabinet. Each unit shall have 2 each removable plate and pellet baskets which are made of NSF compliant zinc-plated mild steel. The dispenser base in each silo shall be 12 gauge 201 stainless steel. They shall have two silos each in a single cavity with self-leveling dispensers, one per silo. Each silo shall be self-leveling and require no adjustments and shall have twenty two springs, made of 302 stainless steel, with a .050" (0,127 cm) wire diameter. Each model shall have 4 each, 5" (12,7 cm) casters (2 front fixed, 2 rear swivel with brakes) bolted through a 12-gauge stainless steel cabinet foundation as well as to the cabinet exterior wrap. Each model shall have a wrap-around 1 1/2" (3,8 cm) thick, high density polyethylene black bumper. They shall have a 6' (1823) cord with a 6-15 Nema Plug Configuration and shall be stored on a cord storage bracket located at the rear of each cabinet. There shall be no assembly required. Colors offered shall be Stainless Steel (000).

Item No. \_\_\_\_\_

Specifier Identification No. \_\_\_\_\_

Model No. \_\_\_\_\_

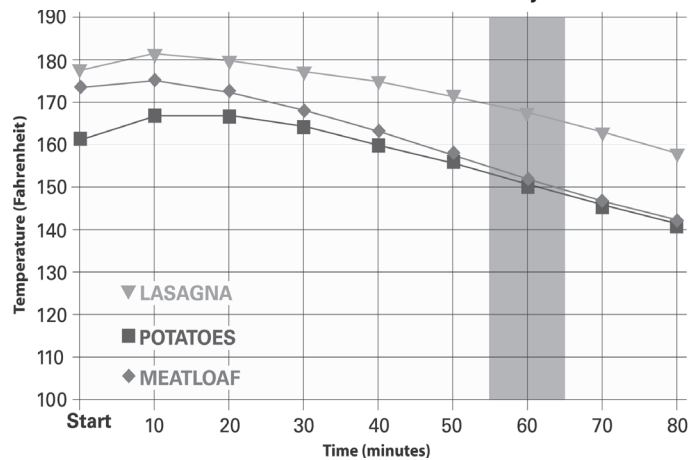
Quantity \_\_\_\_\_

### Specifications

OVERALL Dimension Tolerance: +/- 1/8" (0,32 cm)

CODE	CHPEL80	CHPL100
DESCRIPTION	Pellet Heater	Plate Heater
NUMBER OF STACKS	2	2
CAPACITY	80 pellets (40 in each stack)	100 plates (50 in each stack)
OVERALL DIMENSIONS	Width 36 1/2" (92,7 cm) Depth 25 1/4" (64,1 cm) Height 46 1/4" (117,5 cm)	Width 36 1/2" (92,7 cm) Depth 25 1/4" (64,1 cm) Height 46 1/4" (117,5 cm)
Electrical Specifications		
VOLTAGE / PHASE	208/240 VAC	
AMPS	15	
WATTS	3500	
HZ	50/60	
ELECTRICAL CORD	6' (183 cm)	
NEMA PLUG CONFIGURATION	6-15	
PRODUCT WEIGHT	248 lbs. (112,5 kg.)	
CASE LBS (CUBE)	330 (37.38)	
CASE KG (CUBE M³)	149,7 (1,06)	
FACTORY SET TEMPERATURE	270-290°F (132-143°C)	150-170°F (65-77°C)
Case Pack: 1	Color: Stainless Steel (000)	

### The Results of the Cambro Heat Retention System



#### Real-world test methodology:

Meatloaf, mashed potatoes, and lasagna were heated and placed on a heated Camtherm Plate, heated Thermal Pellet and covered with the Shoreline dome.

#### The results:

All foods tested retained heat above 150°F (66°C) for over one hour.

### Optional Accessories

- |   |  |
|---|--|
| <b>Plate</b>  | <b>Thermal Pellet</b>  |
| <input type="checkbox"/> MDSPL9 Camtherm 9" (22,8 cm) Ceramic Plate | <input type="checkbox"/> MDSP9 9 1/2" (24 cm) Thermal Pellet |
| <b>Plate and Pellet Lifter</b>                                      | <b>Standard Colors</b>                                       |
| <input type="checkbox"/> MDSPL Plate and Pellet lifter              | <input type="checkbox"/> Stainless Steel (000)               |

### Approvals

