



Combo Cart™ PLUS, Low, Non-Electric Single Compartment

For Full and Half Size Sheet Pans, GN Food Pans,
Trays and/or Pizza Boxes

Models

CMBPL, CMBPLHD



Features & Benefits

- Unique and versatile, heavy duty cart enables foodservice operators to hold menu items with different temperatures and humidity needs. Keeps hot or cold food at safe temperatures for 4 hours or more. Perfect for use on or off premise.
- Tough, durable polyethylene exterior stays cool to the touch and will never dent, crack, chip or rust.
- Thick CFC-free polyurethane insulation throughout cabinet body and door ensures excellent food temperature holding.
- Heavy-duty, gasket-free, self-venting, vaulted door opens 240° to the side and closes flush to the cart.
- Wide, lockable, paddle door latch for easy one-handed opening and closing.
- Spherical bearing plastic door hinges are extra strong and will never rust.
- Slide a standard 5" x 8" (12,7 x 20,3 cm) index card into door Menu Pocket or write directly onto the smooth surface with a grease pencil to identify contents, event or location. Clear plastic panel protects information.
- Seven pairs of adjustable Universal rails made of Type 304, 16-gauge stainless steel hold full and half size sheet pans, GN food pans, trays and pizza boxes. All items are bottom load except 40 x 60 cm tray is lip load. Add more rail sets to increase holding capacity.
- Two each Type 304, 16-gauge stainless steel column panels are factory installed on each side to hold rails level and securely in position. Notches for rails are spaced at 1½" (3,8 cm) increments.
- Ergonomic horizontal, molded-in handle will never break and provides great maneuverability.
- Molded-in, sleek perimeter bumper offers extra protection for carts and walls.
- Two non-marking caster choices available – all swivel and all with brakes, ensure smooth navigating and easy positioning into transport vehicles.

Model CMBPL

Standard High Performance Casters, 6" x 1¼" (15 x 3,2 cm)

Model CMBPLHD

Heavy Duty, High Modulus Casters, 6" x 2" (15 x 5 cm)

- Minimal rail assembly required.
- Available in 1 color.

Item No. _____

Specifier Identification No. _____

Model No. _____

Quantity _____



CMBPLHD



Approvals

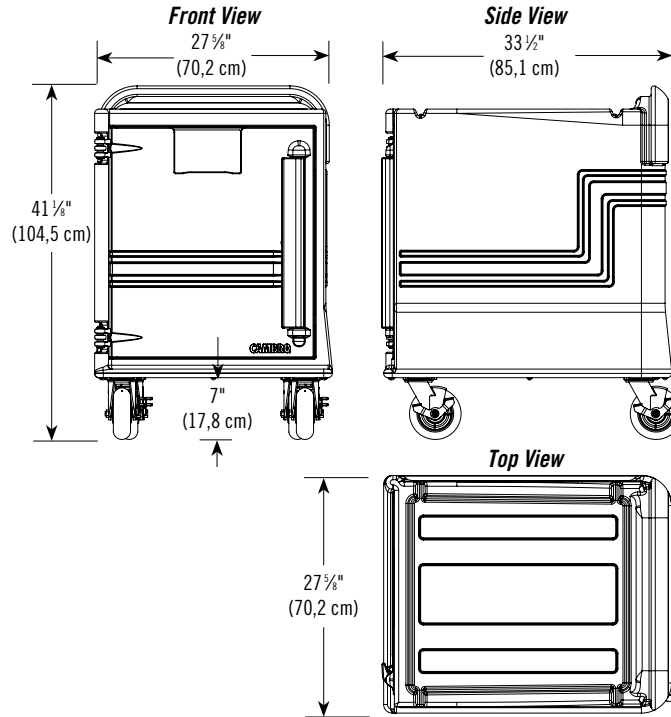


Combo Cart™ PLUS, Low, Non-Electric Single Compartment

For Full and Half Size Sheet Pans, GN Food Pans,
Trays and/or Pizza Boxes

Models

CMBPL, CMBPLHD



Item No. _____

Specifier Identification No. _____

Model No. _____

Quantity _____

Holding Capacity per Cart

TYPE OF CONTAINER	STANDARD	RAIL SPACING	MAXIMUM	RAIL SPACING
18" x 26" (45,7 x 66 cm) Full Size Sheet Pans	7	3" (7,6 cm)	16*	1.5" (3,8 cm)
13" x 18" (33 x 45,7 cm) Half Size Sheet Pans	14	3" (7,6 cm)	32*	1.5" (3,8 cm)
GN 1/2 Hotel Pans 2 1/2" (6,5 cm) Deep	10**	4.5" (11,4 cm)	16*	3" (7,6 cm)
GN 1/2 Hotel Pans 4" (10 cm) Deep	10**	4.5" (11,4 cm)	10**	4.5" (11,4 cm)
40 x 60 cm (20 1/2" x 23 1/2") Trays (Lip Load)	7	3" (7,6 cm)	15*	1.5" (3,8 cm)
32,5 x 53 cm (12" x 20") Trays	14	3" (7,6 cm)	32*	1.5" (3,8 cm)
Pizza Boxes 16" x 16" x 2" (40,6 x 40,6 x 5,1 cm)	7	3" (7,6 cm)	8*	3" (7,6 cm)

*Additional rails required. **Only requires 5 pair of rails.

Standard Capacity - Based on 7 pairs of rails included with cart

Specifications

Dimension Tolerance: +/- 1/4" (0,64 cm)

CODE	DESCRIPTION	DIMENSION BOTH MODELS	DIMENSION BOTH MODELS (with rail columns)	CASE LBS. (CUBE) / CASE KG (M³)	UNIT WEIGHT LBS. (KG)
CMBPL	Standard Casters	Exterior W x D x H:	Compartment W x D x H	132 (26.1) / 60 (0,7)	115.8 (52,6)
CMBPLHD	Heavy Duty Casters	27 9/8" x 33 1/2" x 41 1/8" (70,2 x 85,1 x 104,5 cm)	21 1/8" x 26 1/4" x 25 1/2" (53,7 x 66,7 x 64,8 cm)	141.5 (26.1) / 64,3 (0,7)	125.2 (56,9)

Optional Accessories

- CMBPR1 1 Set of Rails
- CMBPR7 7 Sets of Rails

Standard Color

- Charcoal Gray (615)

Approvals



Architect Specs

The low, non-electric bulk food holding and transport cart shall be a Combo Cart Plus, Model CMBPL and CMBPLHD.....manufactured by Cambro Mfg. Co., Huntington Beach, CA 92647 USA. It shall have one compartment and shall be made of double wall, high-density, durable polyethylene and foam-injected CFC-free polyurethane. It shall have 14 each 304 Series, 16-gauge stainless steel, universal rails which will hold Full and Half size Sheet Pans, GN 1/1 Full Size Food Pans, Trays and Pizza Boxes. It shall have 2 each 304 Series, 16-gauge stainless steel rail column panels with notches at 1/2" (3,8 cm) increments. Door shall be vaulted, gasket-free and self-venting and shall have a wide, paddle latch that can be secured with a locking tie strap and a 5" x 8" (12,7 x 20,3 cm) menu pocket with clear panel. It shall have plastic, spherical bearing door hinges. It shall have a molded-in horizontal rear handle and a molded-in, sleek perimeter bumper. It shall have 4 swivel, all with brake, non-marking standard 6" x 1 1/4" (15 x 3,2 cm) casters or heavy-duty 6" x 2" (15 x 5 cm) casters. It shall require minimal assembly. It shall be available in Charcoal Gray (615) only.

CAMBRO
www.cambro.com

Telephone 714 848 1555

Toll Free 800 854 7631

Customer Service Department 800 833 3003

© Cambro Manufacturing Company 5801 Skylab Road, Huntington Beach, CA 92647-2056, U.S.A.

D0113368