

## CamKiosk® Work Station

Model KWS40

### Features & Benefits



- Stands alone to provide additional work space for preparing food, merchandising menu items and completing sales transactions. Also attaches to the CamKiosk Main Cart with the optional Connector Bridge to help expand menu options.
- Double-wall, high-density, polyethylene construction is impact resistant and will not dent, crack, bubble, chip or break. Can be wiped or steam cleaned.
- Polyurethane foam-insulation provides added strength and durability.
- Large 2 door dry storage area below.
- Paper towel holder, soap dispenser and cutting board are optional accessories.
- Molded-in handles on both sides provided comfortable easy transporting.
- Four each 6" (15,2 cm) casters, 2 fixed, and 2 swivel w/ brake, allow for easy transport across a lobby floor, lunchroom or campus grounds.
- Non-electrical.
- No assembly required.
- Available in 7 solid colors and 2 color combinations.

Item No. \_\_\_\_\_

Specifier Identification No. \_\_\_\_\_

Model No. \_\_\_\_\_

Quantity \_\_\_\_\_



KWS40



KWS40

(Shown with optional Cutting Board and optional Paper Towel Holder)

# CamKiosk® Work Station

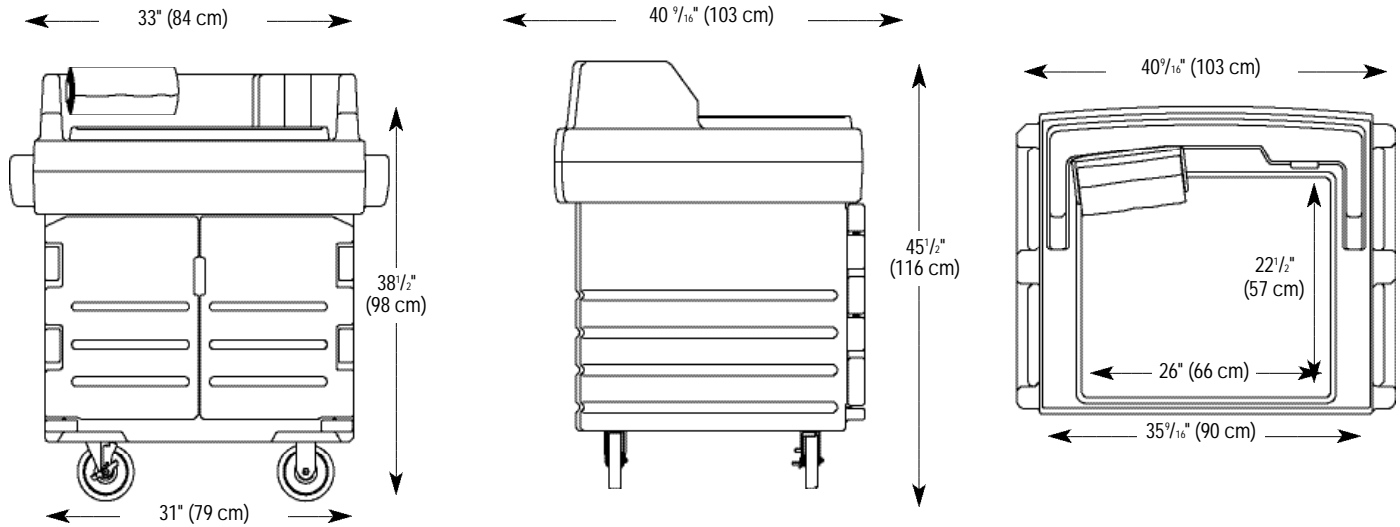
Model KWS40

Item No. \_\_\_\_\_

Specifier Identification No. \_\_\_\_\_

Model No. \_\_\_\_\_

Quantity \_\_\_\_\_



## Specifications

Dimension Tolerance: +/- 1/4" (0,64 cm)

Code	Description	Overall Dimension W x D x H	Case lbs./cube Kg/m <sup>3</sup>
KWS40	CamKiosk Work Station	40 9/16" x 33" x 45 1/2" (103 x 84 x 116 cm)	224 (39.5) 102 (1,1)

## Optional Accessories

- Cutting Board (white only)       CB1220
- Paper Towel Holder               47505
- Soap Dispenser                     60214
- Connector Bridge with Front Panel\*       KMC24

37" x 27" x 10" (94 x 68,6 x 25,4 cm)

\*Note: For attaching to Camkiosk Cart only.

## Standard Colors

- Granite Gray (191)
- Granite Sand (194)
- Kentucky Green (519)
- Black Base with Granite Gray Top & Door (426)
- Granite Green (192)
- Navy Blue (186)
- Granite Green Base with Black Top (425)
- Granite Red (193)
- Hot Red (158)

## Architect Specs:

The portable, non-electrical work station cart shall be a CamKiosk Work Station, manufactured by Cambro Mfg. Co., Huntington Beach, CA 92648 U.S.A. It shall be a Cambro Model KWS40. It shall be made of polyethylene and foam-injected polyurethane. It shall have 2 each molded-in handles. It shall have four each 6" (15,2 cm) casters, 2 fixed, 2 swivel w/ brakes, secured with impact plates. It shall have a 2 door dry storage area. It shall be available with optional Paper Towel Holder, Soap Dispenser and Cutting Board. It shall be available in 9 colors.