

Camcarts®

Double Compartment

For GN Food Pans

With Built-in Thermometers^{NEW!}

Models UPC800F (Fahrenheit), UPC800C (Centigrade)

Models UPC1600F (Fahrenheit), UPC1600C (Centigrade)

Without Built-in Thermometers

Models UPC800, UPC800TR (Tamper Resistant)

Models UPC1600, UPC1600TR (Tamper Resistant)

Features & Benefits



- Large capacity Camcarts easily handle storing and transporting food for any catering job, large or small, hot or cold foods. May also be used for health care meal tray service.
- GN 1/1 Full Size Food Pan capacity per compartment:
 - Model UPC800, UPC800TR, UPC800F, UPC800C
 - 2 each 8" (20 cm) deep, 3 each 6" (15 cm) deep,
 - 4 each 4" (10 cm) deep, or 6 each 2 1/2" (6,5 cm) deep
 - Also holds GN 1/2 & GN 1/3 Size Food Pans and 4 each Metric Camtrays® (#3253).
 - Model UPC1600, UPC1600TR, UPC1600F, UPC1600C
 - 4 each 8" (20 cm) deep, 6 each 6" (15 cm) deep
 - 8 each 4" (10 cm) deep, or 12 each 2 1/2" (6,5 cm) deep
 - Also holds GN 1/2 Long Size Food Pans and 8 each Metric Camtrays® (#3253).
- Store hot and cold foods in the same compartment with the use of the optional ThermoBarrier® Insulated Shelf Divider. Keep food chilled for 8 hours or more with the optional Camchiller®. No external power or ice required.
- Maintain hot food holding temperatures at higher levels and for longer when using two Camwarmers™ inside each compartment of the UPC800 models.
- Tough, one piece seamless, double-wall, polyethylene construction is easy to maintain and won't dent, crack, rust, chip or break.
- Thick polyurethane foam insulated compartments and air tight gaskets help retain food quality and temperatures without the use of external heat sources.
- Durable nylon door latches are easy to open and close securely to provide maximum temperature retention. Doors open 270° to the side for easy loading and unloading.
- Vent cap on each compartment allows steam to be released and keeps menu items from becoming soggy.
- Mid-height molded-in vertical handles on the back provide effective maneuvering during transport. Molded-in bumper minimizes damage to walls and furniture.
- Four each 6" (15,24 cm) heavy-duty casters, 2 fixed, 2 swivel, 1 w/ brake, provide for smooth transporting and maneuvering across all types of terrain.
- Use with Optional Tamper Resistant Security Package for correctional facility use. Hinge pins cannot be removed.
- Non electrical.
- No assembly required.
- Available in 13 colors.

Item No. _____

Specifier Identification No. _____

Model No. _____

Quantity _____



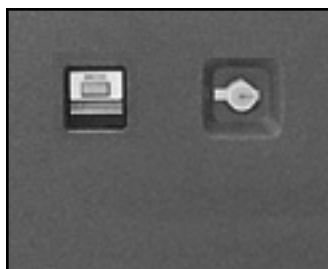
UPC1600
(Shown with 1600DIV ThermoBarrier® in top compartment and CP1220 Camchiller® in bottom compartment)



Camwarmer™
(For use in UPC800)



UPC800
(Shown with 400DIV ThermoBarrier® in bottom compartment)



Built-in thermometers on doors help monitor food holding temperature within compartments.



Gastronorm sizing accommodates 4 each GN 1/1 (Product #3253) fully loaded Metric Camtrays in each compartment.

Approvals



Double Compartment

For GN Food Pans

With Built-in Thermometers NEW!

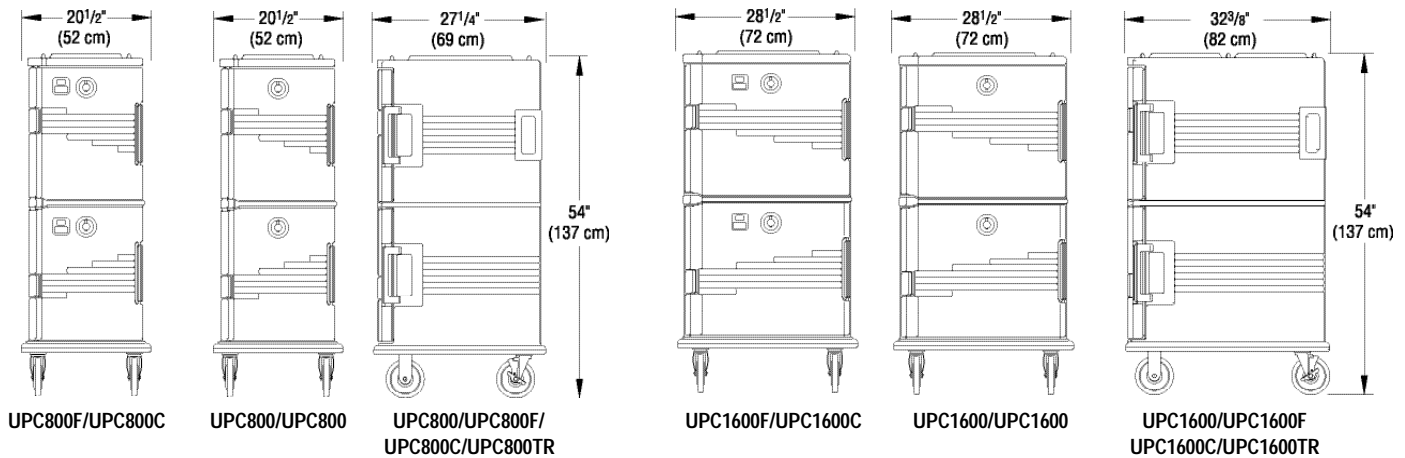
Models UPC800F (Fahrenheit), UPC800C (Centigrade)

Models UPC1600F (Fahrenheit), UPC1600C (Centigrade)

Without Built-in Thermometers

Models UPC800, UPC800TR (Tamper Resistant)

Models UPC1600, UPC1600TR (Tamper Resistant)



Specifications

Dimension Tolerance: +/- 1/4" (0,64 cm)

Code	Description	Capacity Per Cavity (Quarts)	Capacity Per Cavity (Liters)	Exterior Dimensions L x W x H (Inches)	Exterior Dimensions L x W x H (Centimeters)	Case lbs./cube	Kg/m ³
UPC800	Camcart	60 qts.	(57 L)	20 1/2" x 27 1/4" x 54"	(52 x 69 x 137 cm)	92 (19.50)	42 (0,54)
UPC1600	Camcart	120 qts.	(114 L)	28 1/2" x 32 3/8" x 54"	(72 x 82 x 137 cm)	137 (32.71)	62,2 (0,92)
With Built-in Thermometers							
UPC800F	Camcart	60 qts.	(57 L)	20 1/2" x 27 1/4" x 54"	(52 x 69 x 137 cm)	92 (19.50)	42 (0,54)
UPC800C	Camcart	60 qts.	(57 L)	20 1/2" x 27 1/4" x 54"	(52 x 69 x 137 cm)	92 (19.50)	42 (0,54)
UPC1600F	Camcart	120 qts.	(114 L)	28 1/2" x 32 3/8" x 54"	(72 x 82 x 137 cm)	137 (32.71)	62,2 (0,92)
UPC1600C	Camcart	120 qts.	(114 L)	28 1/2" x 32 3/8" x 54"	(72 x 82 x 137 cm)	137 (32.71)	62,2 (0,92)
Tamper Resistant							
UPC800TR	Camcart	60 qts.	(57 L)	20 1/2" x 27 1/4" x 54"	(52 x 69 x 137 cm)	92 (19.50)	42 (0,54)
UPC1600TR	Camcart	120 qts.	(114 L)	28 1/2" x 32 3/8" x 54"	(72 x 82 x 137 cm)	137 (32.71)	62,2 (0,92)

Optional Accessories

- ThermoBarrier®**
- 400DIV for UPC800, UPC800F, UPC800C Gray (180)
 - 1600DIV for UPC1600, UPC1600F, UPC1600C Slate Blue (401)
- Camchiller®**
- CP1220 Cold Blue (159)
- Camwarmer™**
- 1210PW for UPC800, UPC800F, UPC800C Granite Gray (191)

Standard Colors

- Dusty Rose (400)
- Navy Blue (186)
- Slate Blue (401)
- Cold Blue (159)
- Coffee Beige (157)
- Dark Brown (131)
- Brick Red (402)
- Green (519)
- Black (110)
- Granite Gray (191)
- Granite Green (192)
- Granite Red (193)
- Granite Sand (194)

Architect Specs

The non-electrical food service and transport cart shall be a Camcart, Model ..., manufactured by Cambro Mfg. Co., Huntington Beach, CA 92648 U.S.A. It shall be made of one-piece, seamless, double-wall, high-density, polyethylene. It shall have 2 separate insulated polyurethane foam-injected compartments. Each compartment shall accommodate a variety of GN 1/1 Full, 1/2 or 1/3 Size Food Pans, from 2 1/2" (6,5 cm) to 8" (20 cm) deep. It shall have nylon door latches and

the compartment doors shall swing open 270° to the side. It shall have a vent cap on each compartment. It shall have mid-height molded-in vertical handles located on the back of the cart. It shall have a molded-in bumper. It shall have 4 each 6" (15,24 cm) casters, 2 fixed, 2 swivel, 1 w/ brake. It shall be available with an optional tamper resistant security package for correctional facility use. It shall require no assembly. It shall be available in 13 colors.

Approvals

