

Champion®

The Dishwashing Machine Specialists

Project _____

Item No. _____

Quantity _____

TABLE SYSTEMS

STANDARD FEATURES

- Compact, flexible design 90° or 180° to fit high volume operations
- Quality stainless steel construction
- Fully-automatic operation
- Extend the drying space for clean wares and save operator steps
- Easy-to-reach rack storage
- Sloped drain
- Cantilever load table – load racks from the front, offering layout flexibility and saving valuable space
- Optional hood for splash protection, cantilever tables are available with an optional stainless steel hood with vent cowl opening
- Optional table limit switch

TABLE SYSTEMS

For Rack Conveyor Series Dishwashing Machines



90° Corner
Conveyor Table

Also available
180° Corner
Conveyor Table

64 RCT Table

Champion Industries, Inc.
2674 N. Service Road
Jordan Station, Ontario, Canada L0R 1S0
Tel: 905/562-4195 Fax: 905/562-4618

Champion Industries, Inc.
3765 Champion Blvd., Winston-Salem, NC 27105
Tel: 800/532-8591 Fax: 336/661-1979
www.championindustries.com

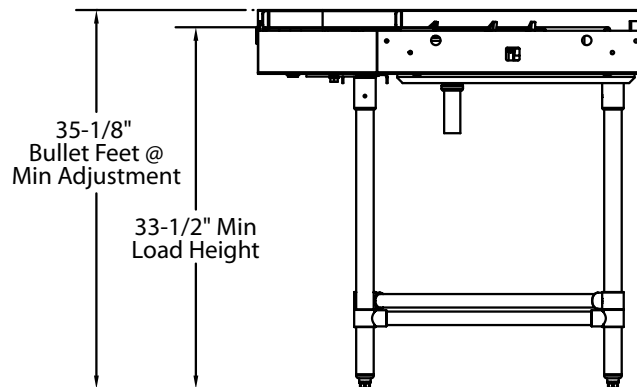
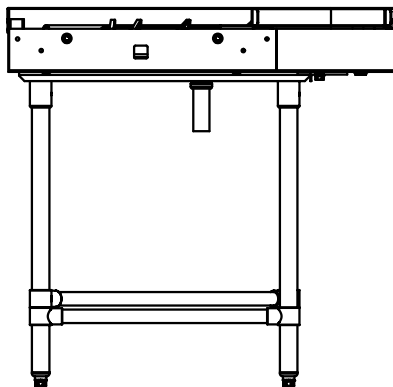
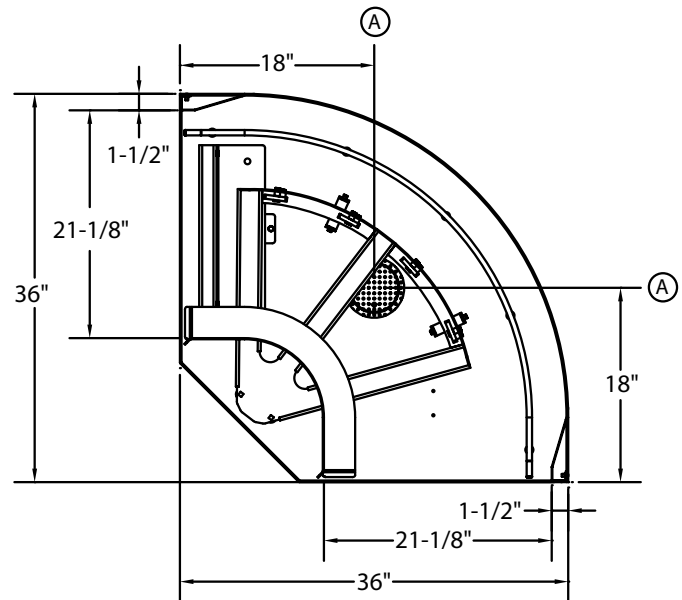
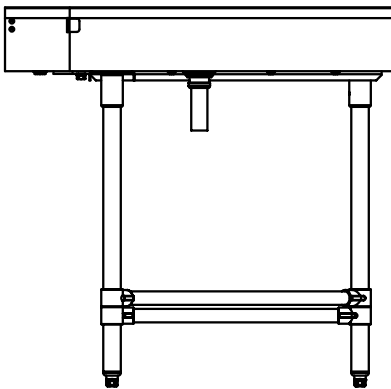
TABLE SYSTEMS

For Rack Conveyor Series
Dishwashing Machines

Champion®

The Dishwashing Machine Specialists

90° Corner Conveyor Table



180° CCT	64 RCT
Shipping weight: 300 lbs.	Shipping weight: 180 lbs.
Volume crated: 107 cu. ft.	Volume crated: 60 cu. ft.
90° CCT	84 RCT
Shipping weight: 250 lbs.	Shipping weight: 200 lbs.
Volume crated: 47 cu. ft.	Volume crated: 72 cu. ft.

Note: 90° and 180° CCT must be ordered with roller conveyor table.

Due to an ongoing value analysis program at Champion, specifications contained in this catalog are subject to change without notice.

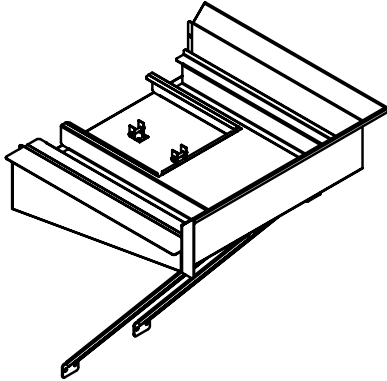
Champion Industries, Inc., 3765 Champion Blvd., Winston-Salem, NC 27105 • 800/532-8591 • Fax: 336/661-1979 • www.championindustries.com
2674 N. Service Road, Jordan Station, Ontario, Canada L0R 1S0 • 905/562-4195 • Fax: 905/562-4618

TABLE SYSTEMS

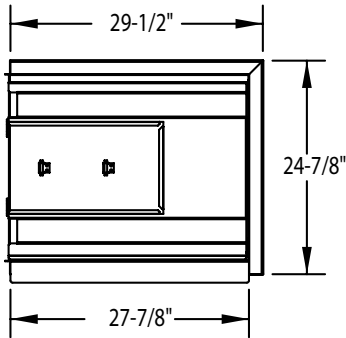
For Rack Conveyor Series
Dishwashing Machines

Champion[®]

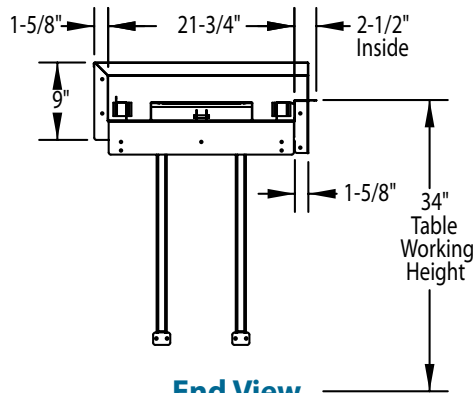
The Dishwashing Machine Specialists



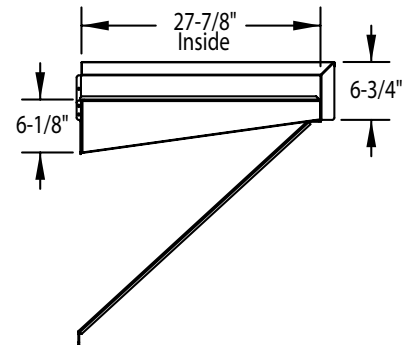
30" Cantilever Sideloader For 20" racks up to 30" long



Plan View

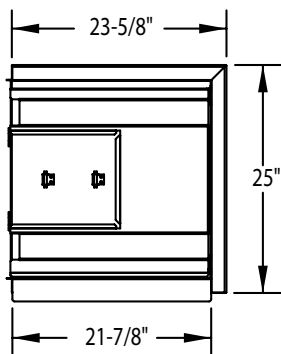


End View

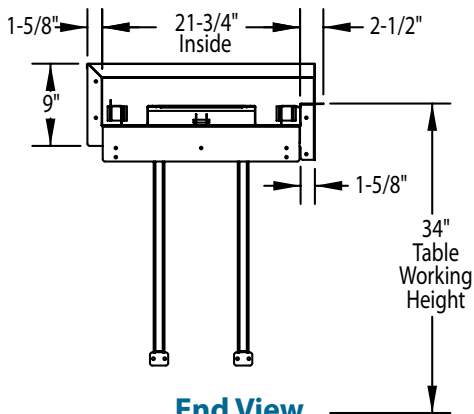


Side View

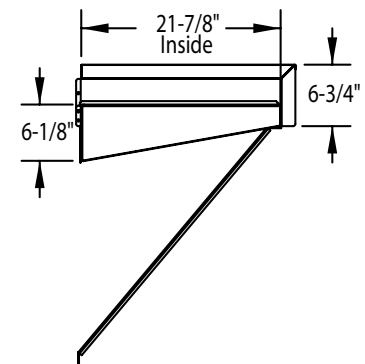
24" Cantilever Sideloader For standard 20" x 20" racks



Plan View



End View



Side View

Due to an ongoing value analysis program at Champion, specifications contained in this catalog are subject to change without notice.

Champion Industries, Inc., 3765 Champion Blvd., Winston-Salem, NC 27105 • 800/532-8591 • Fax: 336/661-1979 • www.championindustries.com
 2674 N. Service Road, Jordan Station, Ontario, Canada L0R 1S0 • 905/562-4195 • Fax: 905/562-4618