

Champion®

The Dishwashing Machine Specialists

Project _____
Item No. _____
Quantity _____

LD-12-CPT WASHER

STANDARD FEATURES

- Heavy-duty stainless steel construction
- External rinse hose & spray gun
- Self-contained water heating
- Moisture resistant control gauges
- Recirculating wash water
- Adjustable wash and rinse cycles
- Digital Control & Information Center
- Versatile racking system
- Precision engineered spray patterns
- Removable, dual filtration system
- Complete with load/unload tabling
- One year parts and labor warranty

LD-12-CPT

Pot, Pan and Utensil Washer



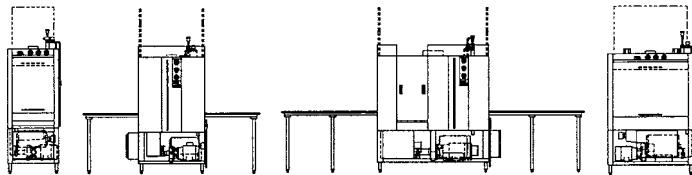
OPTIONS

Tank Heat

Steam

Gas

Additional Lift Door and Split Door Models:



LD-10 LD-12-CPT LD-20-PT LD-20

Champion Industries, Inc.
P. O. Box 4149, Winston-Salem, NC 27115
Tel: 336/661-1556 Fax: 336/661-1979
2674 N. Service Road,
Jordan Station, Ontario, Canada L0R 1S0
Tel: 800/263-5798 Fax: 905/562-4618
www.championindustries.com

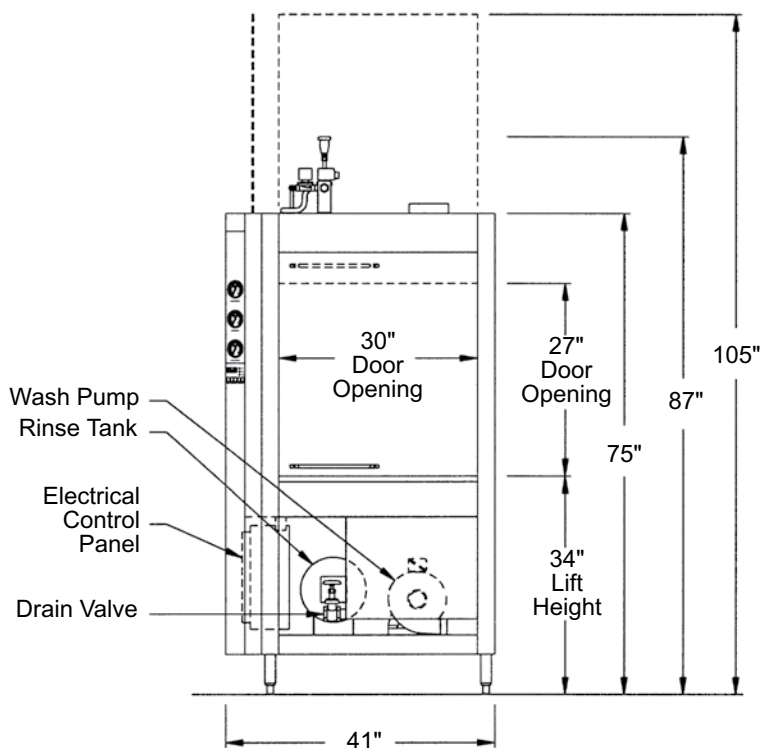
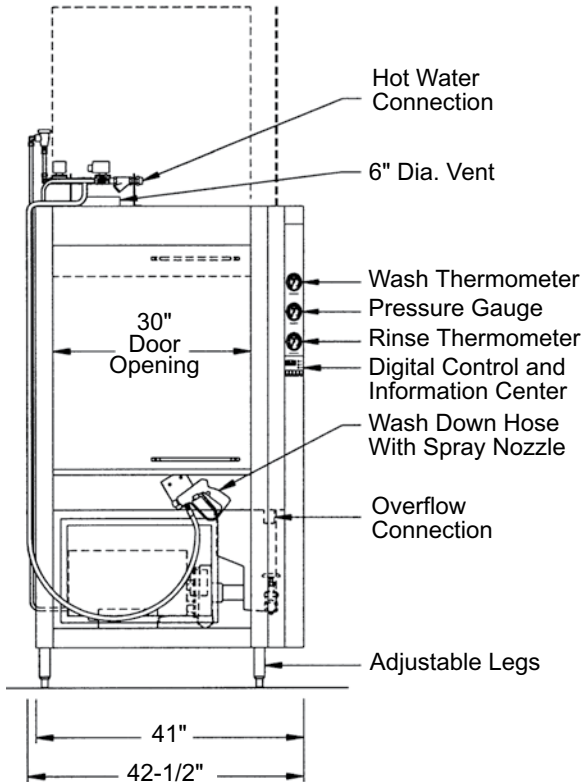
LD-12-CPT

Pot, Pan and
Utensil Washer

Champion®

The Dishwashing Machine Specialists

Dimensions shown in inches



SPECIFICATIONS

Machine Construction

12, 14, & 16 gauge stainless steel. All seams tig welded.

Door

Stainless steel, counter-balanced with self-lubricating guides. Stainless steel cables on nylon rollers with guards to prevent jumping.

Spray Arm Assembly

Stainless steel spray arm assembly with stainless steel jets, removable end caps and hand operated quick release mechanism for easy cleaning and reassembly.

Filter

Perforated, removable, stainless steel baskets.

Water Pump

7-1/2 Hp, 208/240 or 480 volt, 1 phase or 3 phase, 60 cycle with output of 120 gallons per minute at 35 to 45 P.S.I.

Digital Control & Information Center

110 volt control circuit with push pad operation of "Power On", "Stop" and "Short, Medium or Long Wash Cycles". A digital display indicates "Time Remaining" for each cycle. LED's indicate wash, rinse and unload functions. A buzzer is also included to provide an audible indication of time to unload. A pre-programmed circuit board allows the push pad to be used as a "Diagnostic Center" by displaying "Error Codes" for ease of troubleshooting.

Gauges

Special moisture resistant design to measure wash temperature, wash pressure, and rinse temperature.

Wash Tank

Stainless steel with electric, infrared gas, steam or steam coil eating, thermostatically controlled, low-water protected, sloped to drain with a 25-gallon capacity.

Racks

Customized to hold your specific items. Standard bakery racks include utensil basket with hold-down lid and bun/sheet pan rack designed to hold twelve (12) pans, constructed of stainless steel rod, mig welded.

Due to an ongoing value analysis program at Champion, specifications contained in this catalog are subject to change without notice.

Champion Industries, Inc., P. O. Box 4149, Winston-Salem, NC 27115 • 336/661-1556 • Fax: 336/661-1979 • www.championindustries.com
2674 N. Service Road • Jordan Station, Ontario, Canada L0R 1S0 • 800/263-5798 • Fax: 905/562-4618

Washer	Automatic washing machine designed to wash all pots, pans and utensils commonly used in baking and cooking operations. Machine is pass-thru, corner type with tabling on each end.
Cabinet	41" wide x 41" deep x 75" high. Overall height with door open: 105". Door opening: 30" wide x 27" high. Constructed of 12, 14 & 16 gauge, Type 304 #3 finish, stainless steel . All seams tig-welded, cleaned and polished.
Door	Lift-up door type. Two doors, single control handle. Counter balanced with self-lubricating guides, stainless steel cables on nylon rollers with cable guards to insure tracking. Doors are interlocked with limit switch to prevent machine operation while doors are open. Door construction: 16 gauge, type 304 #3 finish, stainless steel.
Recirculating Wash Tank	Heated by 208/240 at 480 volt electric immersion heaters, 12 kW total. Thermostatically controlled wash temperature and low water protection system. 25 gallons, 14 gauge stainless steel, sloped to drain. Infrared gas and steam heating options available.
Wash Tank Filter	Perforated, stainless steel basket type. Double filter system designed for increased effectiveness and easy cleaning without emptying wash tank.
Wash Tank Fill Valve	Size 1/2" brass material, solenoid type, automatic.
Wash Tank Drain Valve	Size 1-1/4" brass material, gate type for manual or electrically operated ball valve for automatic option.
Wash Pump	7-1/2 Hp, 208/240 or 480 volt, 1 or 3 phase, 60 cycle. Close coupled; 120 gallons per minute at 35 to 45 psi, mounted on 12 gauge stainless steel formed channel base.
Rotating Wash Hub & Spray Arm Assembly	Water driven, stainless steel base with stainless steel jets, removable end caps for quick and easy cleaning without the use of tools.
Sanitizing Rinse Tank	Stainless steel 6 gallon capacity, with one (1) 6 kW 208/240 or 480 volt electric booster heater to provide 180°/190°F hot sanitizing rinse. Uses 2.8 gallons per 22 second cycle. Infrared gas and steam coil heating options available.
Water Supply Valve	Size 1/2" brass material, solenoid type, automatic.
Final Rinse Piping	Type 304 stainless steel tubing with brass compression fittings and brass or optional stainless steel full cone rinse jets.
Control & Information Center	120 volt control circuit with push pad operation of "Power On," "Stop" and "Short, Medium or Long Wash Cycles." A digital display indicates "Time Remaining" for each cycle. LED's indicate wash, rinse and unload functions. A buzzer is also included to provide an audible indication of time to unload. A pre-programmed circuit board allows the push pad to be used as a "Diagnostic Center" by displaying "Error Codes" for ease of troubleshooting. Moisture resistant gauges measure wash temperature, wash pressure and rinse temperature.
External Rinse Hose	Externally mounted rinse hose with spray gun for easy cleaning and maintenance of machine.
Steam Exhaust Vent	Steam exhaust vent 6-3/4" diameter, consisting of 16 gauge rolled collar for PVC pipe connection bolted to the top of the machine. Machine pre-wired with control timer for the addition of a fan.
Optional Exhaust Fan	Draft inducer fan side mounted on exhaust duct to extract excess steam after final rinse cycle. 300 CFM @ .05" static pressure. 1/10Hp, 110 volt motor, 1550 RPM.



The Dishwashing Machine Specialists

SPECIFICATIONS LD-12-CPT POT, PAN & UTENSIL WASHER

Racks

Customized to hold your specific items. Standard bakery racks include utensil basket with hold-down lid and bun/sheet pan insert designed to hold ten pans, constructed of stainless steel rod, mig-welded.

Connections

Water Inlet: 120°F, 3/4" NPT
Water Drain and Overflow: 1-1/4" NPT
Electrical: Two point connection through knock out on electrical enclosure.
Steam Heating Option: 1/2" NPT
Natural or Propane Gas Heating Option: 1/2" NPT

Utilities

120 Volt -1 phase, 5 running amps, 15 amp service, plus one of the following:

Elec. Spec.	Running Amps		
	Electric Wash Electric Booster	Steam Wash ¹ Steam Booster	Infrared Gas Wash ² Infrared Gas Booster
208 Volt 3 phase	69	19	19
240 Volt 3 phase	63	18	18
480 Volt 3 phase	32	9	9

¹ Steam Supply: Consumption: 69 lbs./hr. @ 15 psi minimum

² Gas Supply: Consumption: 60,000 BTU/hr.

Certifications

UL and UL Sanitation Listed (all). CUL Listed (electric and steam only).

