

Champion®

The Dishwashing Machine Specialists

Project _____
Item No. _____
Quantity _____

TABLE SYSTEMS

STANDARD FEATURES

- Compact, flexible design 90° or 180° to fit high volume operations
- Quality stainless steel construction
- 1/8-Hp drive motor protected from overload
- Fully-automatic operation
- Extend the drying space for clean wares and save operator steps
- Easy-to-reach rack storage
- Table limit switch
- Sloped drain

TABLE SYSTEMS

For Rack Conveyor Series
Dishwashing Machines



90° Motorized
Rack Curve



180° Motorized
Rack Curve



Champion Industries, Inc.
2674 N. Service Road
Jordan Station, Ontario, Canada L0R 1S0
Tel: 905/562-4195 Fax: 905/562-4618

Champion Industries, Inc.
P. O. Box 4149, Winston-Salem, NC 27115
Tel: 336/661-1556 Fax: 336/661-1979
www.championindustries.com

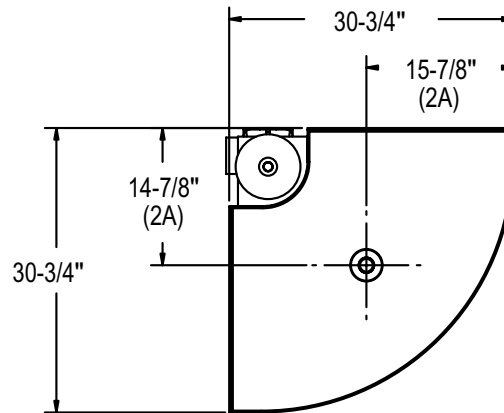
TABLE SYSTEMS

For Rack Conveyor Series
Dishwashing Machines

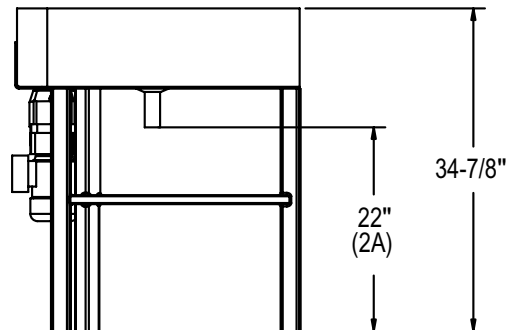
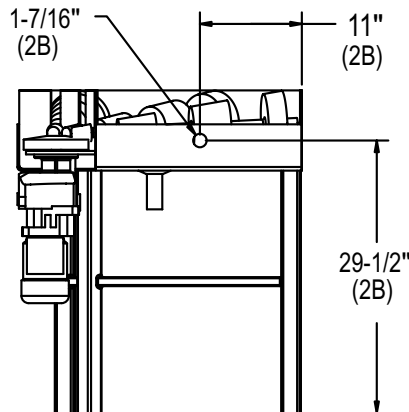
Champion®

The Dishwashing Machine Specialists

90° Motorized Rack Curve with Table



Rollers Not Shown for Clarity



180° MRC	64 RCT
Shipping weight: 300 lbs.	Shipping weight: 180 lbs.
Volume crated: 107 cu. ft.	Volume crated: 60 cu. ft.
90° MRC	84 RCT
Shipping weight: 250 lbs.	Shipping weight: 200 lbs.
Volume crated: 47 cu. ft.	Volume crated: 72 cu. ft.

Note: 90° and 180° MRC must be ordered with roller conveyor table.

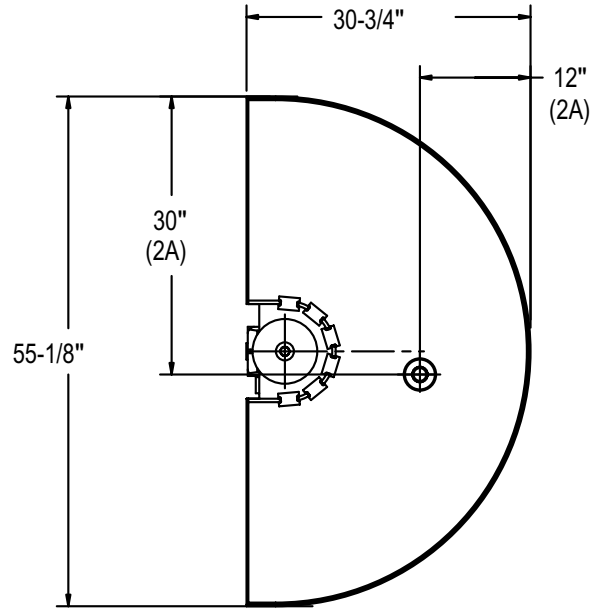
TABLE SYSTEMS

For Rack Conveyor Series
Dishwashing Machines

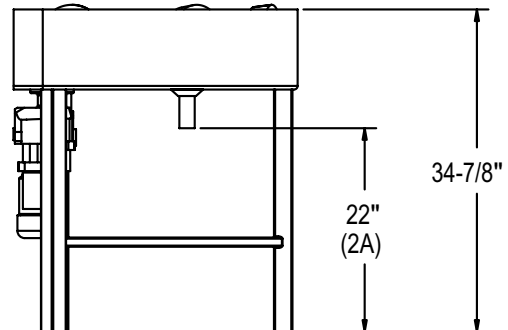
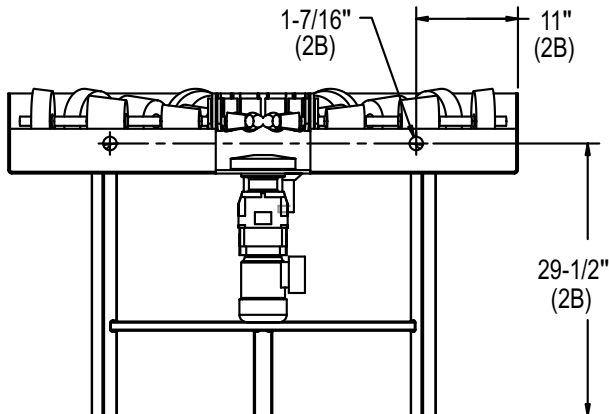
Champion[®]

The Dishwashing Machine Specialists

180° Motorized Rack Curve with Table



Rollers Not Shown for Clarity



Utilities

- | | |
|---|---|
| 1 | Electrical - See rack machine electrical requirements. MRC will run on same amps |
| 2 | Drain |
| A | 1-1/4" O.D. connection.
Motorized Rack Curve. |
| B | 1-7/16" O.D. connection.
Roller Conveyor Table. |

TABLE SYSTEMS

For Rack Conveyor Series
Dishwashing Machines

Champion®

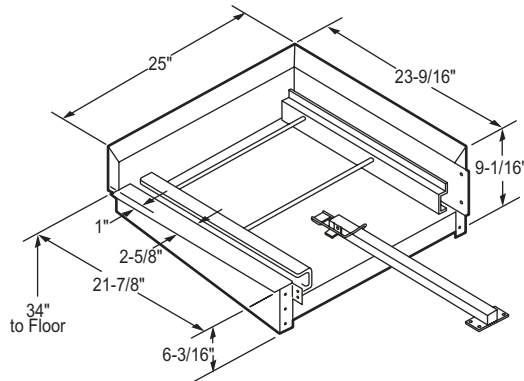
The Dishwashing Machine Specialists



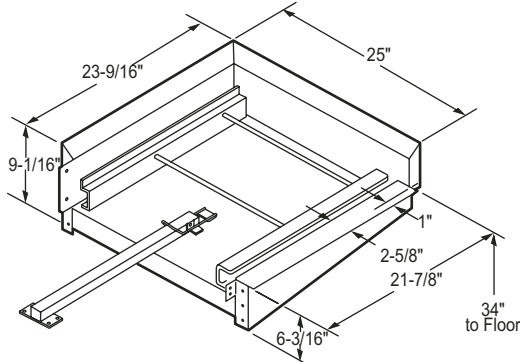
- Cantilever table – load racks from the front, offering layout flexibility and saving valuable space
- Durable welded heavy-gauge #304 stainless steel with removable rack guide for ease of cleaning
- Optional hood for splash protection, cantilever tables are available with an optional stainless steel hood with vent cowl opening

24" Cantilever Sideloader

For standard 20" x 20" racks



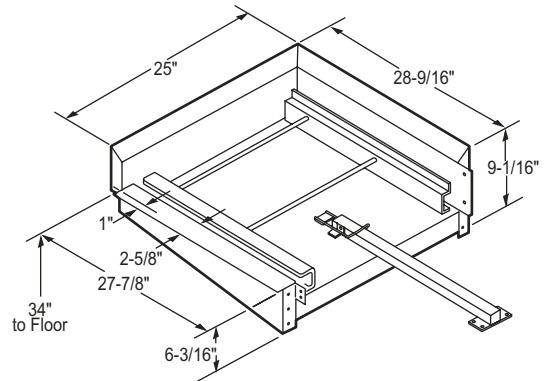
Left-to-right Operation



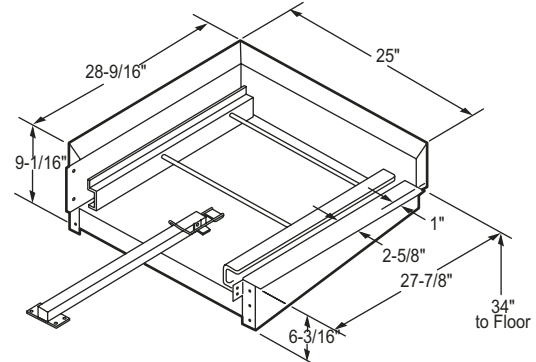
Right-to-left Operation

30" Cantilever Sideloader

For 20" racks up to 30" long



Left-to-right Operation



Right-to-left Operation