



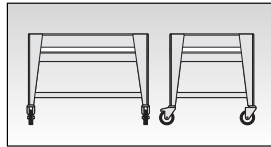
Stainless Steel Stands for Table Top Models

Open Base Stand with Adjustable Legs -

Model #	Description
CST-10-OB	for models 6.10 & 10.10
CST-20-OB	for models 6.20 & 10.20

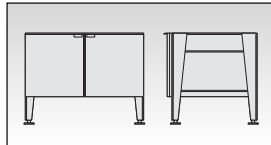
Open Base Stand with Casters -

Model #	Description
CST-10-OBCA	for models 6.10 & 10.10
CST-20-OBCA	for models 6.20 & 10.20



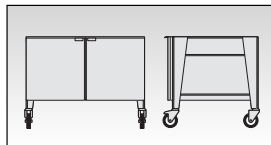
Closed Base Stand with Hinged Doors & Adjustable Legs

Model #	Description
CST-10-CB	for models 6.10 & 10.10
CST-20-CB	for models 6.20 & 10.20



Closed Base Stand with Hinged Doors & Casters

Model #	Description
CST-10-CBCA	for models 6.10 & 10.10
CST-20-CBCA	for models 6.20 & 10.20

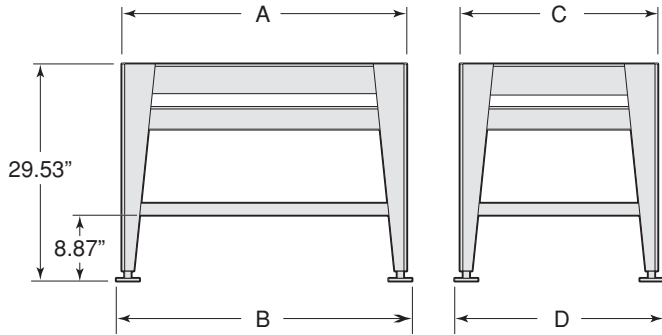


Rack Kit for Stands

Model #	Description
CST-10-RK	for models 6.10 & 10.10
CST-20-RK	for models 6.20 & 10.20

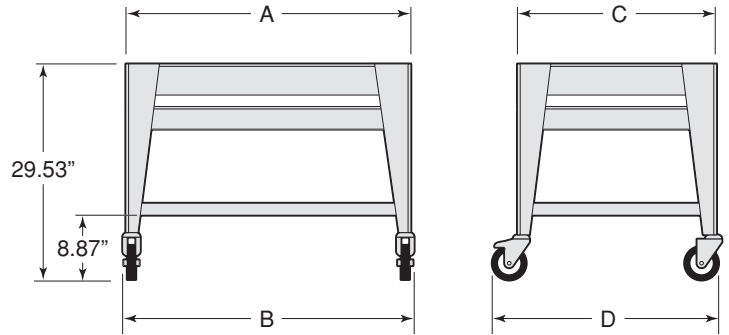


OGB-10.10 on a CST-10-CBCA (closed base stand with casters)



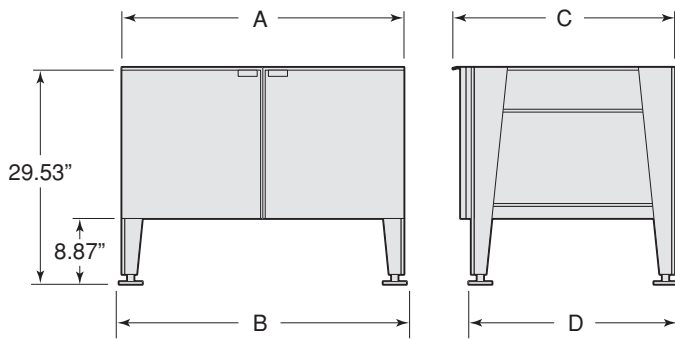
Open Base Stand with Adjustable Legs

	A	B	C	D
CST-10-OB	32.44"	34.08"	24.47"	26.12"
CST-20-OB	43.66"	45.30"	32.02"	33.66"



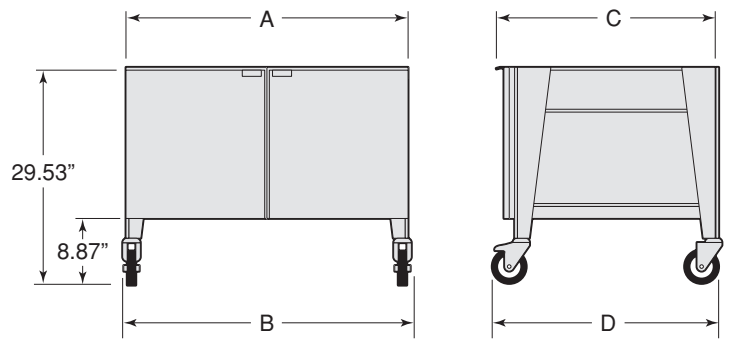
Open Base Stand with Casters

	A	B	C	D
CST-10-OBCA	32.48"	35.10"	24.47"	28.40"
CST-20-OBCA	43.66"	46.32"	32.02"	35.94"



Closed Base Stand with Hinged Doors and Casters

	A	B	C	D
CST-10-CB	32.48"	34.08"	27.13"	26.12"
CST-20-CB	43.66"	45.30"	34.67"	33.66"



Closed Base Stand with Hinged Doors and Casters

	A	B	C	D
CST-10-CBCA	32.44"	35.10"	27.13"	28.39"
CST-20-CBCA	43.66"	46.32"	34.67"	35.93"

NOTES:

Cleveland Range reserves right of design improvement or modification, as warranted.
 Many regional, state and local codes exist and it is the responsibility of the owner and installer to comply with the codes.
 Cleveland Range equipment is built to comply with applicable standards for manufacturers.