



# COMBI OVEN-STEAMER ACCESSORIES



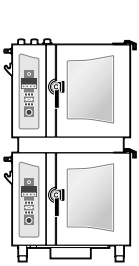
ITEM NUMBER \_\_\_\_\_

JOB NAME / NUMBER \_\_\_\_\_

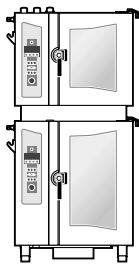
## Stacking Kits for Table Type Models

### Stacking Kits

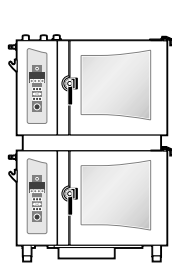
Model #	Description
CSTK-6-610	for mounting two 6.10's
CSTK-6-1010	for mounting one 6.10 on top of one 10.10
CSTK-6-620	for mounting two 6.20's
CSTK-6-1020	for mounting one 6.20 on top of one 10.20



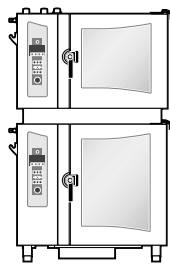
CSTK-6-6.10



CSTK-6-10.10



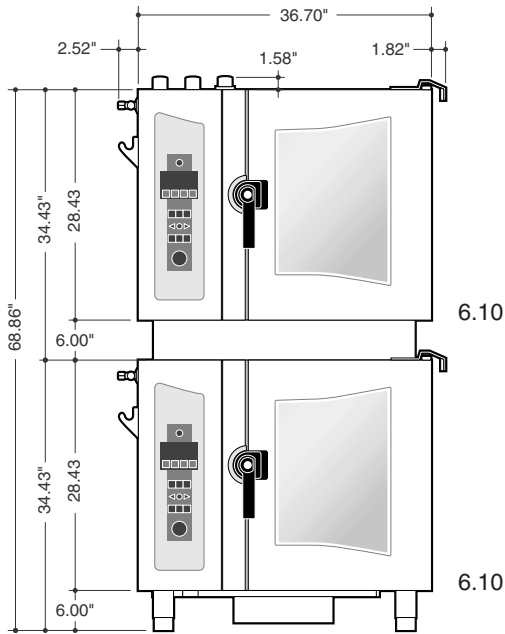
CSTK-6-6.20



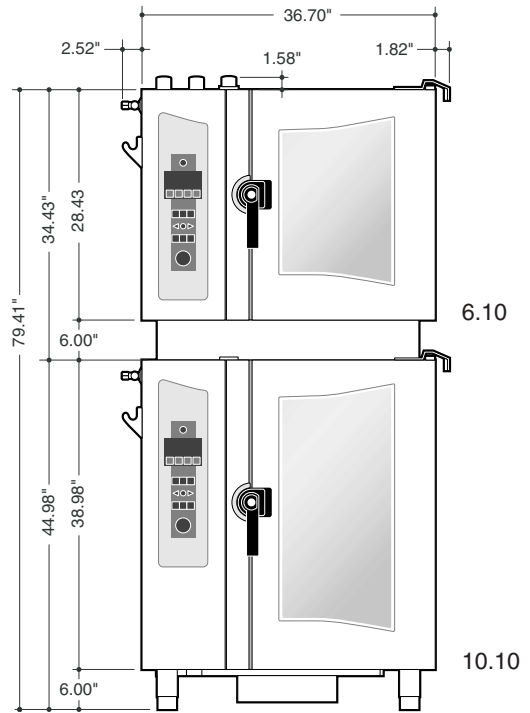
CSTK-6-10.20



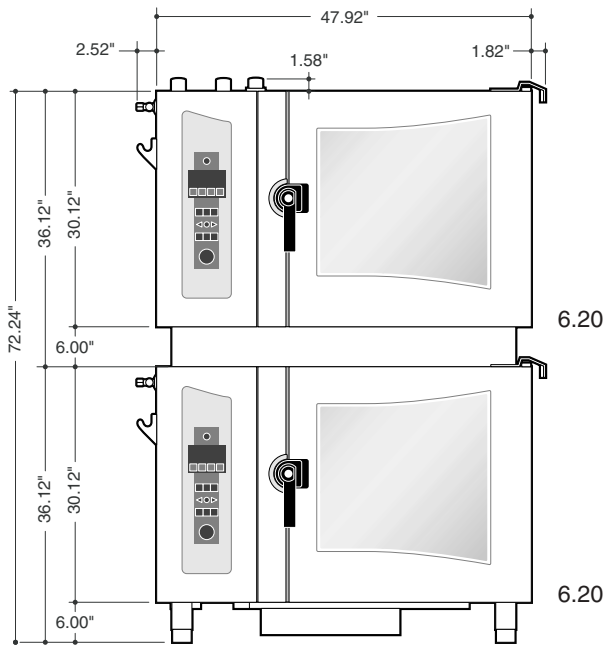
**CSTK-6-1010**  
 (shown fully assembled  
 with one OES-6.10 on top  
 of one OES-6.10)



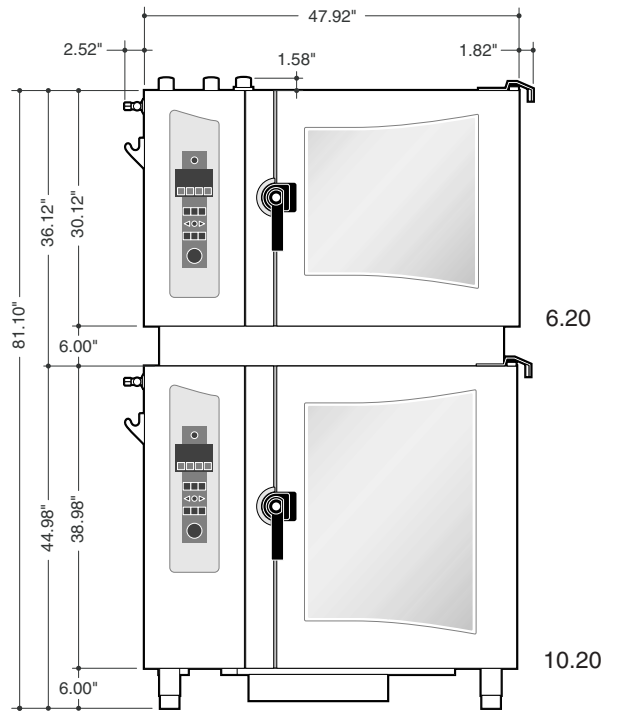
**CSTK-6-6.10**



**CSTK-6-10.10**



**CSTK-6-6.20**



**CSTK-6-10.20**

**NOTES:**

Cleveland Range reserves right of design improvement or modification, as warranted.  
 Many regional, state and local codes exist and it is the responsibility of the owner and installer to comply with the codes.  
 Cleveland Range equipment is built to comply with applicable standards for manufacturers.