



Claris Water Treatment System
for Convotherm by Cleveland Combi Ovens

System Components, Includes:

- one (1) Pre-filter
- one (1) Claris X-Large Steam System
- one (1) Claris Flow Meter
- one (1) Water Test Kit

Accessories:

- Claris X-Large Filter Cartridge (CWT-XLC)
- EC-110 Cartridge - Prefilter Replacement Cartridge (EC-110)

Cleveland Standard Features:

E-10 Prefilter System

- Filters out larger dirt and rust particles.
- Extends the life of primary filter cartridges.
- Tightly spun EC-110 sediment cartridge delivers 10 micron nominal filtration.
- Durable slim bowl design makes cartridge replacement easy.
- Clear housing allowing visual inspection of trapped particles to determine when to change the cartridge.
- 10" bowl design accepts most 10" drop in cartridges.

Claris Single Head with Zero Bypass

- Commercial quality filter head designed exclusively for Claris filter cartridges.
- Engineered for durability, strength and longevity.
- Corrosion resistant hardware.
- The system can be operated horizontally or vertically, depending on the available space.

Water Test Kit

- Used to determine the scale causing hardness (mainly calcium and magnesium).
- Indicates water test completion when the color changes from blue-green to orange-yellow.

MODEL: CWT-06 (includes complete system)



Short Form Specifications

Shall be Cleveland Model CWT-06 Claris Water Treatment System including one (1) Pre-filter, one (1) Claris X-Large Steam System, one (1) Claris Flow Meter & one (1) Water Test Kit.

Claris X-Large Filter Cartridge:

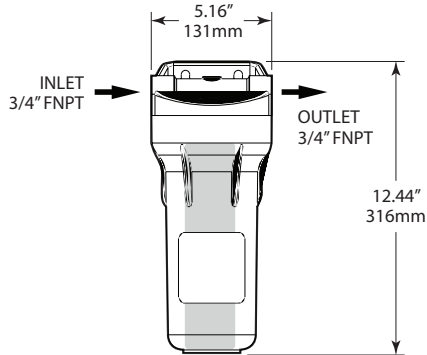
- 5-stage filtration process.
- Operation in vertical or horizontal position.
- NSF Certified under NSF/ANSI Standard 42.

Claris Flow Sensor and Display

- Monitors water usage rate to determine cartridge replacement.
- Display indicates cartridge replacement based on gallons of water treated.
- Display unit provides information about residual capacity of installed cartridge, total filtrate volume since flow sensor was installed, filtrate volume and operation time of last five (5) installed cartridges.

Technical Data:

Claris Water Treatment Components



Pre-Filter

Overall Dimensions:	12.44" H x 5.16" W (316mm H x 131mm W)
Inlet Connection:	3/4" FNPT
Outlet Connection:	3/4" FNPT
Service Flow Rate:	Maximum 6.0 gpm (22.7 Lpm)
Pressure Requirement:	35 psi - 70 psi (2.4 – 4.8 bar) non-shock
Water Temperature Inlet Requirement:	39° - 86°F (4° - 30°C)
Electrical:	No electrical connection required
Shipping Weight:	4 lbs.
Operating Weight:	6 lbs.

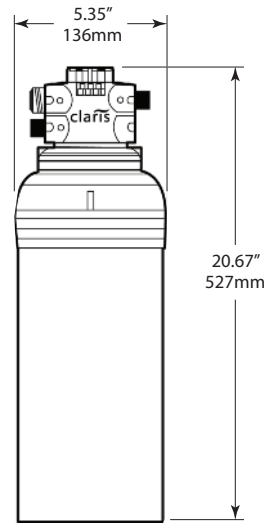


Flow Meter Sensor

Overall Dimensions:	3.25 W x 2" H x 2" D (83mm W x 51mm H x 51mm D)
Connection:	Inlet: 3/8-inch BSP F nut Outlet: 3/8-inch BSP M
Service Flow Rate:	0.44-3.08 gpm (100-700 LPH)
Pressure Loss:	184 gph (up to 700 LPH flow rate) 3 PSI (0,2 bar)
Pressure Requirement:	35 psi - 70 psi (2.4 – 4.8 bar) non-shock
Ambient Temperature (min/max):	39 - 104 °F (+4 - +40 °C)
Installation Position:	Horizontal recommended

NOTES:

Cleveland Range reserves right of design improvement or modification, as warranted. Many regional, state and local codes exist and it is the responsibility of the owner and installer to comply with the codes. Cleveland Range equipment is built to comply with applicable standards for manufacturers.



Claris X-Large Filter Cartridge

Overall Dimensions:	20.67" H x 5.35" Dia. (525 mm x 136 mm)
Service Flow Rate:	1.0 gpm (3.7 Lpm)
Treatment Capacity*:	1,100 gal.
Pressure Requirement:	35 psi - 70 psi (2.4 – 4.8 bar) non-shock
Water Temperature Inlet Requirement:	39° - 86°F (4° - 30°C)
Electrical:	No electrical connection required

*Capacity is based on water hardness of 180 ppm.



Programmer & Display

Overall Dimensions:	2.75" H x 2" W (70mm H x 51mm W)
Cable:	59" (1.5 meters)
Electrical:	Lithium Coin Battery (type CR2032)

WATER QUALITY REQUIREMENTS FOR CLEVELAND STEAMERS

TDS	< 60 ppm	pH Factor	7.0 – 8.5
Total Alkalinity	< 20 ppm	Free Chlorine	< 0.1 ppm
Silica	< 13 ppm	Conductivity	min. 20 µS/cm (50 kOhms)
Chloride	< 25 ppm		

NOTES: Proper maintenance of the steam cooking equipment and water treatment system is the responsibility of the owner/operator. Improper installation or maintenance may void the warranty. Refer to the Operators Manual for proper instructions. A water quality analysis is required prior to installing the Claris water treatment system, since water conditions vary throughout the country.

Do not use the "Claris System" with water that is microbiologically unsafe or of unknown quality, without adequate disinfection before or after the system.