

## **CABINETIZED, DIRECT STEAM**

POWER TILTING OR STATIONARY  
 2/3 STEAM JACKETED  
 25, 40 or 60 GALLONS (100, 150 or 225 LITERS)

### **Cleveland Standard Features**

- Compact, Space Saving Modular Design
- Type 304 Stainless Steel with # 4 finish on Kettle and Cabinet
- Steam Control Kit includes: Steam Control Valve, Steam Trap Assembly, Condensate Strainer, Check Valve, all Factory Assembled and Mounted
- Spring Assisted, Hinged, Domed Stainless Steel Cover
- 2" diameter Tangent Draw-Off Valve with Strainer
- Hot and Cold Water Faucet with Swing Spout
- 25 psi Steam Jacket Rating and Safety Valve
- Kettle Drain Swing Funnel
- Typical approvals include NSF and ASME

### **FOR TILTING MODELS ONLY**

- High Capacity Pouring Lip
- Permanently lubricated Power Tilt Mechanism

### **Options & Accessories**

- Steam Pressure Reducing Valve where pressure exceeds 20 psi (PRV)
- Steam Supply Moisture Separator (MS)
- Type 316 Stainless Steel Kettle Liner for high acid food products (316-G)
- Cooking Baskets and Tri- Basket Supports (BS and TBS)
- Kettle Accessory Kit (KAK) includes:
  - Clean-up Brush (CB)
  - 36" Kettle Paddle (KP)
  - 36" Kettle Whip (KW)
  - 36" Kettle Brush (KB)
  - Draw-off Brush (DB)
  - 24 oz. Ladle (KL)
- Lift-Off Covers (CL)
- Measuring Strip (MS)
- Gallon Markings (KM)
- Hot and Cold or Cold Only Kettle Filler with 60" hose (DKF-K or SKF-K)

- MODELS:**  KDM-25-T     KDM-25  
 KDM-40-T     KDM-60  
 KDM-60-T     KDM-80



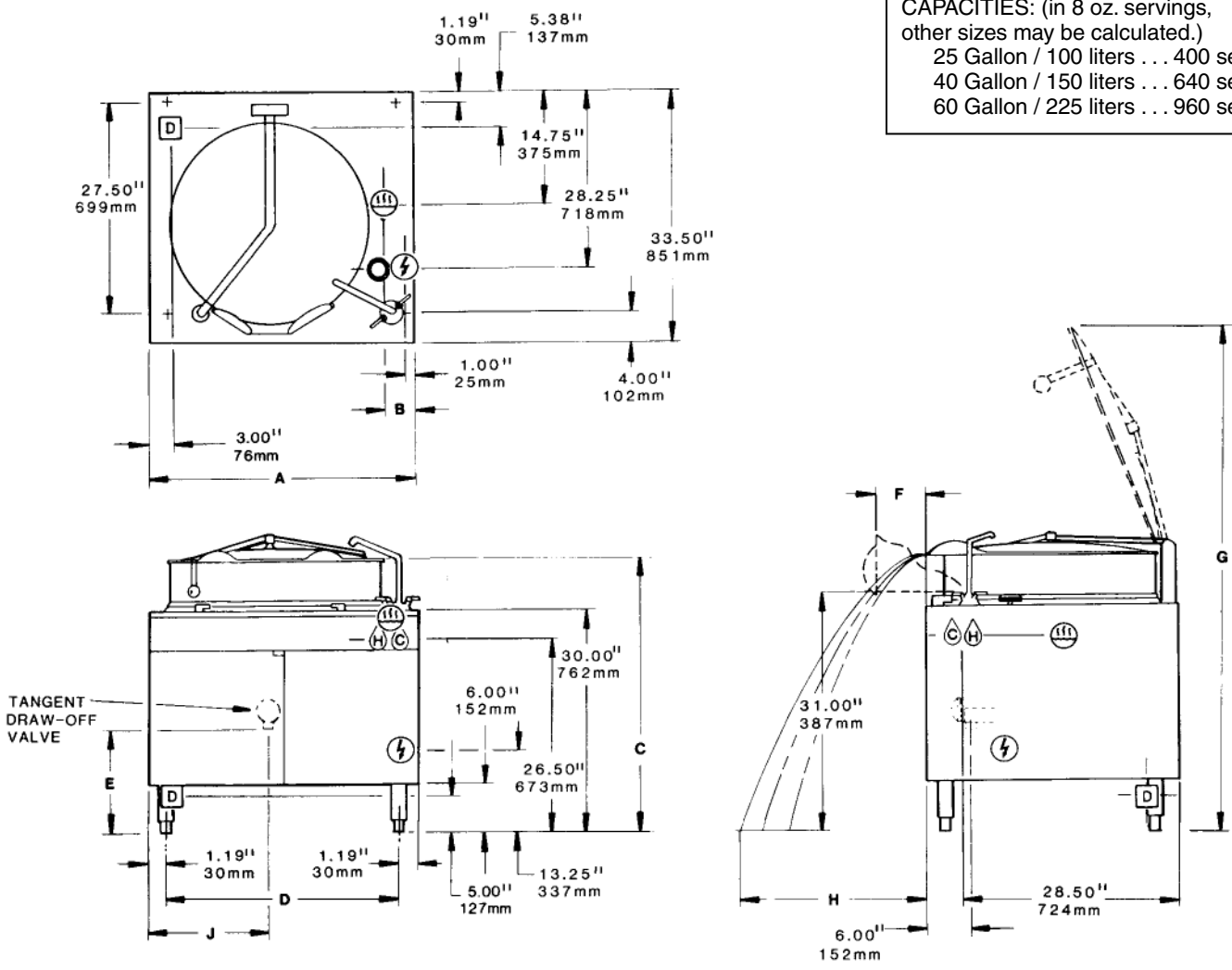
### **Short Form Specifications**

*Kettle Shall be CLEVELAND, Direct Steam Kettle, Cabinetized, Model KDM - \_\_\_\_ - T (Power Tilt) or KDM- \_\_\_\_ (stationary); \_\_\_\_ Gallons. 2/3 Steam Jacketed, Type 304 Stainless Steel with 25 psi Steam Jacket Rating; Cabinet and frame to be Type 304 Stainless Steel; includes: Spring Assisted Domed Cover, 2" Tangent Draw-Off Valve, Hot and Cold Water Faucet with Swing Spout. To operate, connect directly to a steam source supplying from 5 to 20 psi steam. Chromed Steam Condensate Trap and Strainer factory assembled.*

### **FOR TILTING MODELS ONLY**

- Pan Carrier (PCK)
- Flow Diverter (FD)
- Food Strainer (FS)

**CAPACITIES:** (in 8 oz. servings, other sizes may be calculated.)  
 25 Gallon / 100 liters . . . 400 servings  
 40 Gallon / 150 liters . . . 640 servings  
 60 Gallon / 225 liters . . . 960 servings



**NOTE:** Use a 12.00" Spacer (Model 300-S) when placing this unit beside a Convection Steamer.

GALS.	LITERS		A	B	C	D	E	F	G	H	J
25	100	IN	29.50	3.75	38.75	27.13	16.13	5.25	62.25	18.25	13.13
		mm	749	95	984	689	410	133	1581	464	333
40	150	IN	35.38	3.75	38.75	33.00	14.13	7.25	67.75	25.50	16.25
		mm	899	95	984	838	359	184	1721	648	413
60	225	IN	35.38	4.81	41.25	33.00	13.12	9.75	75.25	25.50	16.25
		mm	899	122	1048	838	333	248	1911	699	413

**NOTE:** On 60 gallon kettle, Cover is hinged at right rear.

DIRECT STEAM (iii)	ELECTRIC (⚡)	DRAINAGE (D)	WATER (H, C)	CLEARANCE						
Steam supply: • ½" Connection Point (furnish ¾" IPS line, minimum) • Operating Pressure 5 to 20 psi	<table border="1"> <thead> <tr> <th>VOLTS</th> <th>AMPS</th> </tr> </thead> <tbody> <tr> <td>115</td> <td>5</td> </tr> <tr> <td>240</td> <td>2.5</td> </tr> </tbody> </table> For Power Pour (Tilt) models: must specify voltage when ordering	VOLTS	AMPS	115	5	240	2.5	1.50" IPS common drain. Do not connect any other units to this drain.	⅜" O.D. copper tube ½" NPT pipe	RIGHT = 0" LEFT = 0" REAR = 0"
VOLTS	AMPS									
115	5									
240	2.5									

Cleveland Range reserves right of design improvements or modifications, as warranted.

**NOTES:**

Cleveland Range reserves right of design improvement or modification, as warranted.  
 Many regional, state and local codes exist and it is the responsibility of the owner and installer to comply with the codes.  
 Installation of backflow preventers, vacuum breakers and other specific code requirements is the responsibility of the owner and installer.  
 Cleveland Range equipment is built to comply with applicable standards for manufacturers. Included among those approval agencies are U.L., A.G.A., NSF, ASME/N.Bd., CSA, CGA, ETL and others.