



Featuring the  
**"Advanced Closed System +3"**

### ELECTRIC HEATED – with Steam Generator

#### Cooking Modes:

- Hot Air
- Retherm
- "Delta T" slow cooking
- Steam
- "Cook & Hold"
- "Crisp & Tasty"
- Combi

#### Cleveland Standard Features:

- "Advanced closed system" with "Crisp & Tasty" de-moisturizing feature
- Efficient heating system for hot air and steam generator saves energy and provides fast heat up times
- Fully insulated steam generator and cooking compartment for maximum energy savings
- Polished cooking compartment with coved corners for easy cleaning
- Four (4) 26" x 20" wire shelves
- Hinged fan guard and hinged removable pan racks
- Two (2) speed auto reversing convection fan for even heat distribution
- Space saving, easy to operate "Disappearing Door"
- "Antibacterial Hygenic Door Handle" with embedded silver ion protection
- Door latch with safety vent position and wear-free door switch
- Vented, double glass door with integrated door stop and self draining condensate drip tray
- Easy to change, press-fit door seal
- Oven light with shock resistant safety glass
- Multipoint core temperature probe
- Digital controls for temperature, time and core probe settings
- Self diagnostic system with full text message display
- Easy to understand menu icons with bright graphics display
- User friendly selector dial
- Exclusive "Smart Key" for selecting option settings
- Eight (8) "Press & Go" one step, recipe start buttons
- Cook book library for up to 250 stored recipe programs, each recipe capable of 20 steps
- Memory module for saving unit settings and recipes
- Smooth action hand shower for compartment cleaning

#### Electric Steam Generator

- Built-in automatic rinse system
- Automatic fill and water level control
- Automatic generator drain

**MODEL:**  OEB 6.20

**CAPACITY:** Seven (7) - 18" by 26" by 1" full size sheet pans\* or  
 Fourteen (14) - 13" by 18" by 1" half size sheet pans\* or  
 Fourteen (14) - 12" x by 20" by 2 1/2" steam table pans  
 \*On wire racks. Additional wire racks required for maximum capacity.

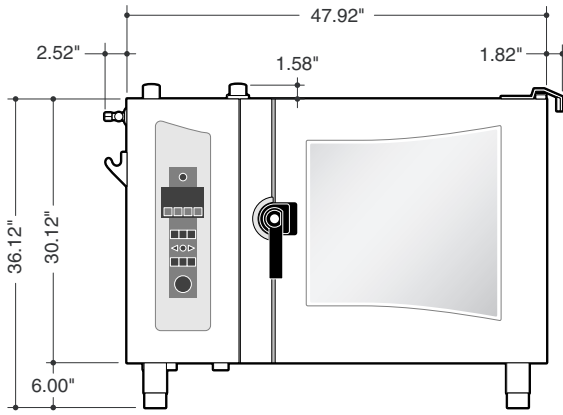


#### Short Form Specifications

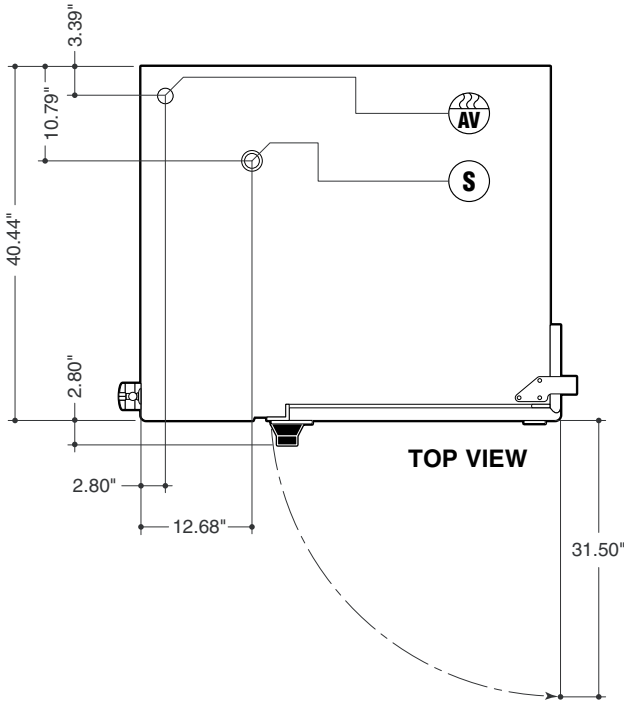
Shall be Cleveland Model: OEB 6.20 Combination Convection Oven / Steamer with simple to operate programmable controls for Hot Air, Convection Steam, and Combination cooking modes, "Cook & Hold" and "Delta T" slow-cooking capabilities, "Advanced Closed System" with "Crisp & Tasty" de-moisturizing feature. Multiple cooking stage programs, stored recipe library, multipoint core temperature probe, "Press & Go", one-step recipe start buttons, "Smart Key" for selecting option settings, Two (2) speed auto reversing convection fan. Electric steam generator with automatic drain. "Disappearing Door" with "Antibacterial Hygenic Door Handle". Capacity for seven (7) 18" x 26" full size sheet pans, or fourteen (14) 12" x 20" x 2 1/2" pans.

#### Options and Accessories

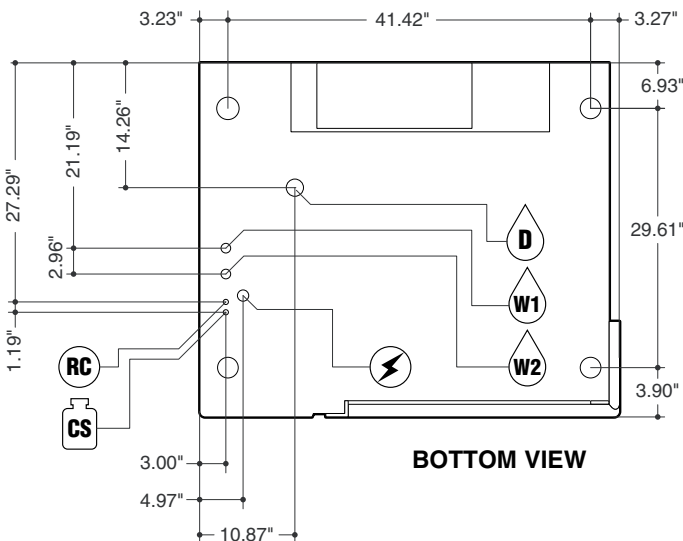
- CONVOClean hands free automatic compartment washing system
- CONVOCControl software for establishing "HACCP controls" and automatic documentation of the cooking process
- Equipment stand(s) with or without Casters
- Stacking kit for stacking two (2) OEB 6.20 models
- Stacking kit for mounting one (1) OEB 6.20 model on top of one (1) OEB 10.20
- Pan rack adapter to hold full size sheet pans without the use of wire shelves
- Lockable cover over operating controls for prison installations
- Ethernet connection for networking and controlling up to 100 units with a personal computer
- Trolley system for banquet operations
- Thermal cover for plate or pan rack
- CONVOClean compartment cleaning solution
- CONVOCare compartment rinse cycle solution
- "Dissolve" generator descaling solution
- Chicken Grill Rack
- CONVOGrill Grilling Rack
- 12" x 20" Wire Baskets for frying products
- Additional 26" x 20" Wire Shelves
- 480 volt option
- Water Treatment Systems
- easyToUCH™ control panel
- CONVOChicken special grease control system (not available for stacked units)



**FRONT VIEW**



**TOP VIEW**



**BOTTOM VIEW**

**NOTES:**

Cleveland Range reserves right of design improvement or modification, as warranted.  
 Many regional, state and local codes exist and it is the responsibility of the owner and installer to comply with the codes.  
 Cleveland Range equipment is built to comply with applicable standards for manufacturers.

**Model:** OEB 6.20

**Pan Capacity** [Unit has 7 slide rails at 2.64" (67mm) apart]:

- 7 (20" x 26") full size wire racks
- 7 (18" x 26") full size sheet pans - on wire racks
- 14 (13" x 18") half size sheet pans - on wire racks
- 14 (12" x 20" x 2 1/2") steam table pans
- 14 (12" x 20" x 1") steam table pans
- 14 (12" x 20") frying Baskets - (no wire racks needed)

**For Banquet Operations:** Optional Plate Rack holds 42 plates

**Unit Dimensions:** Width - 52.26", Depth - 43.24", Height - 36.82"

**Shipping Dimensions:** Width - 58", Depth - 49", Height - 45"  
 (including packaging)

**Shipping Weight:** 485 Lbs

**Required Clearances:** Rear - 2", Left Side - 4", Right Side - 2 1/2"

- Allow for sufficient distance if a "high heat source" (i.e. Broiler) is located next to the unit.
- Allow for sufficient clearance on left side for service access (contact the factory service department for recommendations).
- Installation must comply with all local fire and health codes.

**Agency Approvals:** UL, UL - Sanitation (NSF Standards)



Electrical Requirements:	208/3/60	240/3/60	440/3/60	480/3/60
Total Connected Load:	16.4 KW	21.6 KW	18.5 KW	22 KW
Hot Air:	14.7 KW	19.6 KW	16.5 KW	19.6 KW
Steam Generator:	12.8 KW	17.1 KW	14.3 KW	17.1 KW
Amps per Phase:	45.5	51.8	24.2	26.4

Do not connect to a G.F.I. outlet

**Water Connections:** Cold Water (drinking water quality)  
 Dynamic Pressure: 35 - 60 PSI  
 Water Inlets: 3/4" GHT-F (Female Garden Hose Connection)



Treated Water for Steam Generator



Untreated Water for Condenser and Hand Shower

**NOTE:**

The owner / operator / purchaser must ensure that the drinking/potable water quality requirements are met. Not meeting the water quality requirements will void the original equipment warranty.

**Water Quality Requirements:**

TDS . . . . .	50-125 ppm	pH Factor . . . . .	7.0-8.5
Total Alkalinity . .	50-100 ppm	Free Chlorine . . .	< 0.1 ppm
Silica . . . . .	< 13 ppm	Hardness . . . . .	50-100 ppm (3<6 gpg)
Chloride . . . . .	< 25 ppm	Dynamic Water Pressure . . .	35-80 psi



**Drain Connection:** 2" I.D. No Hub Elbow Provided

**Venting:** Exhaust Hood required



Air Vent



\*Connection for Cleaning Solution



\*Connection for Rinse Cycle



Low Pressure Safety Valve

\*Available as an option