

TABLE TYPE TWIN ELECTRIC KETTLES

"SPASH PROOF SERIES", SELF-CONTAINED, 2/3 STEAM JACKETED,
 Per Kettle: 3, 6 or 12 GALLONS (11, 23 or 45 LITERS)

Cleveland Standard Features

- Manual tilting, balanced design
- Space saving design through shared, center console
- Balanced, attractive appearance
- Self-contained, easily installed - needs only an electrical hook-up
- Steam jacket filled with treated water, venting and/or refilling is not required
- Accurate, constant solid state temperature controls (mechanical thermostate not as accurate) - less than $\pm 1^{\circ}\text{C}$ variance (ideal for simmering). Operating temperature range from 145° - 260°F (63°C - 127°C)
 Control panel includes:
 - LED indicator for heat cycle
 - LED indicator for low water
 - Power ON/OFF switch
 - Adjustable temperature control dial
- Water resistant controls, splash-proof construction
- Large pouring lip for high capacity and chunky products
- Re-inforced rolled rim design prevents damage to kettle rim, eliminates "bar rim designs"
- Welded-in heating elements, (holds vacuum better, won't leak or loose water)
- Easily cleaned: kettle and all exterior surfaces are of type 304 stainless steel with an #4 finish
- Rear mounted easy access pressure gauge and pressure relief valve to prevent tampering. Color coded easy to read pressure gauge with "green" and "vent air zone"
- 50 psi steam jacket rating for higher cooking temperatures
- 50 psi safety valve
- Solid state water level control (no sight glass gauge to break or leak)
- Splash proof element cover with a double gasket seal
- **Self locking marine type tilting mechanism** prevents accidental spills. Balanced design makes it easy to tilt
- Standard for TKET-6-T and TKET-12-T is 208-240 volts, 60 Hz, 3-phase, 3-wire. Models TKET-6-T and TKET-12-T are field rewirable to single phase. (Model TKET-3-T available in single phase, 2-wire only).
- Typical approvals include UL., CSA, CE, NSF and ASME

Options & Accessories

- Lift Off Covers (CL)
- Common Hot and Cold (DPK) or Cold only (SPK) Water Faucet with Swing Spout. Requires Mounting Bracket (FBKT)
- 316 Stainless Steel Kettle Liner for high acid products (316-G)
- High wattages (HW) and special voltages (see back page)
- Cooking Baskets (BS)
- Food Strainers (FS)
- Measuring Strips (MS)

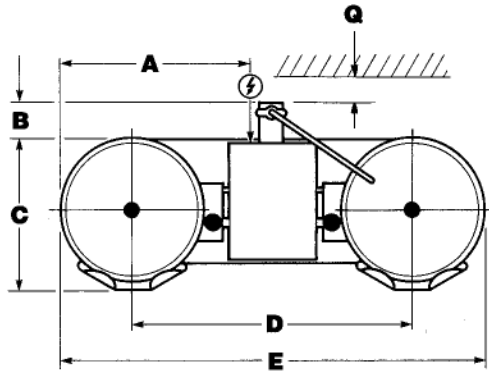
- MODELS:** TKET-3-T TKET-12-T
 TKET-6-T



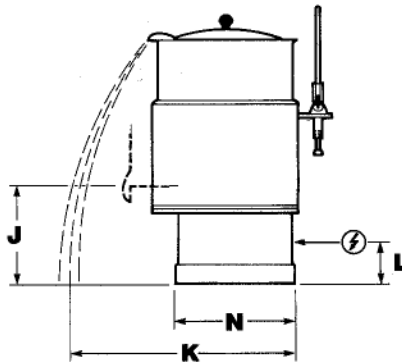
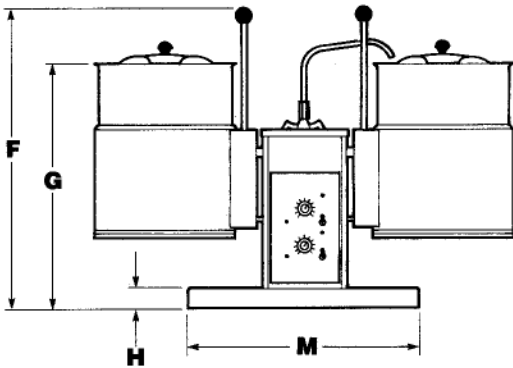
Short Form Specifications

Shall be CLEVELAND, electric twin kettles, Table Type, self-contained, tilting, Model TKET - ____ - T; ____ gallons each, ____KW, ____volts, ____ Hz, 3 phase/3 wire or single phase/2 wire; with Splash Proof Solid State Temperature ($\pm 1^{\circ}\text{C}$) and Safety Control System in plug-in Module including L.E.D. indicators, Large Pouring Lips, Rear mounted Pressure/Vacuum Gauges, Permanently filled Steam Jackets, 50 psi Steam Jacket Ratings and Safety Valves. Optional Lift Off Covers.

- Stainless Steel Equipment Stand with Drain Drawer and Splash Shield (ST-42 for TKET-3-T & TKET-6-T), (ST-55-t for TKET-12-T)
- Kettle Markings (KM)
- Protective Control Panel (PCE)

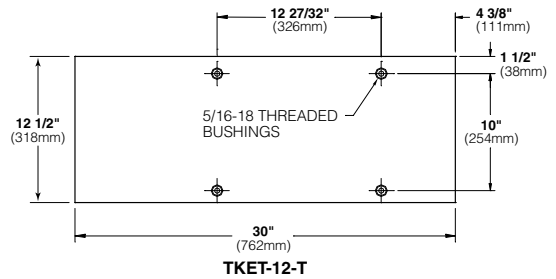
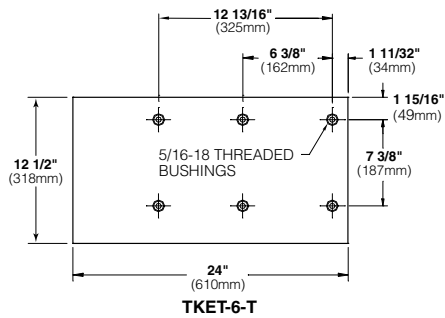
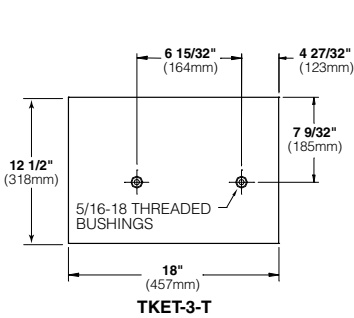


- CAPACITIES (PER KETTLE): (in 4 oz. servings, other sizes may be calculated)
- 3 gallons / 11 liters 96 servings
- 6 gallons / 23 liters 192 servings
- 12 gallons / 45 liters 352 servings



MODEL NO.	GALS.	LITERS		A	B	C	D	E	F	G	H	J	K	L	M	N	Q
TKET- 3-T	3	11	IN	15.75	4.38	14.00	22.13	34.50	28.75	20.00	1.50	8.25	24.00	13.75	18.00	12.50	2.25
			mm	400	110	355	562	875	730	510	38	210	610	350	455	320	57
TKET- 6-T	6	23	IN	20.75	4.38	16.75	29.25	44.25	28.75	22.75	1.50	7.00	26.50	13.75	24.00	12.50	2.75
			mm	525	110	425	743	1124	730	580	38	180	675	350	610	320	70
TKET-12-T	12	45	IN	24.25	4.38	19.50	33.00	50.63	31.50	24.25	1.50	6.25	27.00	14.75	30.00	12.50	5.50
			mm	615	110	495	840	1285	800	615	38	160	685	375	762	320	140

BASE MOUNTING DIAGRAMS (VIEW FROM BOTTOM OF BASE)



⚡ STANDARD WATTAGE

GALS.	LITERS	208V			240V			415V			480V		
		KW	1PH	3PH	KW	1PH	3PH	KW	1PH	3PH	KW	1PH	3PH
3	11	8.2	39.3	NA	10.9	45.4	NA	NA	NA	NA	NA	NA	NA
6	23	12.3	59.0	34.1	16.3	68.1	39.3	15.0	36.1	20.9	16.3	34.0	19.6
12	45	19.6	94.4	54.5	26.1	108.9	62.9	24.0	57.8	33.4	26.1	54.4	31.4

⚡ HIGH WATTAGE

GALS.	LITERS	208V			240V			415V			480V		
		KW	1PH	3PH	KW	1PH	3PH	KW	1PH	3PH	KW	1PH	3PH
6	23	19.6	NA	54.5	26.1	NA	62.9	24.0	57.8	33.4	26.1	54.4	31.4
12	45	24.5	NA	68.1	32.7	NA	78.6	30.0	72.3	41.7	32.7	68.1	39.3

Consult factory for other voltages.

WATER

3/8" O.D. copper tube or
1/2" N.P.T. pipe.

When ordered with
optional faucet.

CLEARANCE

RIGHT = 0"
LEFT = 0"
REAR = See "Q" on
chart above.

NOTES:

Cleveland Range reserves right of design improvement or modification, as warranted.
Many regional, state and local codes exist and it is the responsibility of the owner and installer to comply with the codes.
Cleveland Range equipment is built to comply with applicable standards for manufacturers. Included among those approval agencies are U.L., NSF, CGA, CSA, ETL and others.