

# Continental

## Refrigerator

### EXTRA-WIDE FREEZERS



1FE



1FX



2FE



3FE

### Standard Features

- Modern, State-of-the-Art Styling
- Performance Rated Refrigeration System Designed for 0°F Cabinet
- 3" Non-CFC Polyurethane Foam Insulation
- Chrome Plated Flow Line Handles
- Cam-Action Lift-Off Hinges
- Self-Closing Doors
- Automatic Interior Lighting
- Magnetic Snap-In Door Gasket
- Cylinder Lock In Each Door
- Automatic Electric Condensate Evaporator
- 5" Casters
- Heavy-Duty, Epoxy-Coated Steel Shelves
- External Dial Thermometer
- Automatic Electric Defrost

Standard (S/S Front, Aluminum End Panels & Interior) Suffix SA (S/S Exterior, Aluminum Interior)

Suffix SS (S/S Exterior & Interior)

### Optional Features & Accessories

- Stainless Steel Case Back
- Pan Slide Assemblies
- Increased Refrigeration Systems
- Stainless Steel Shelves
- Stainless Steel or Black Legs
- Rehinging of Doors
- Half Door Model
- Remote Model
- Pass-Thru Model
- Shallow Depth Model
- Digital Thermometer

Utilizing Environmentally Safe, CFC-free R-404A Refrigerant



c



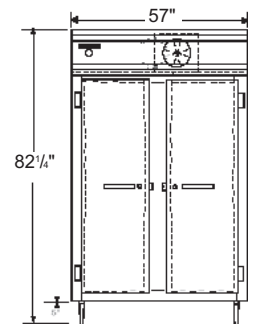
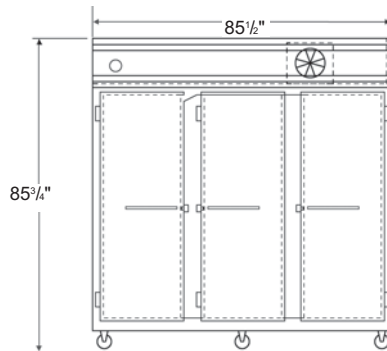
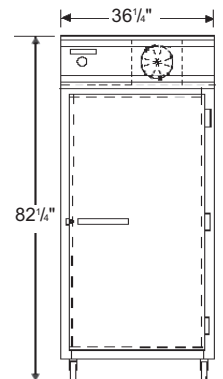
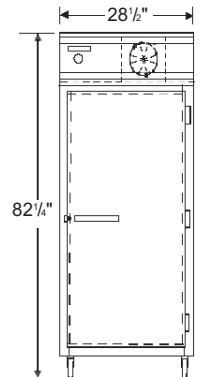
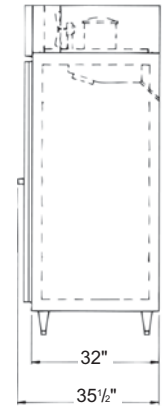
# Extra-Wide Refrigerators

CHARACTERISTICS	1FE		1FX		2FE		3FE		
	Reach-In	Pass-Thru	Reach-In	Pass-Thru	Reach-In	Pass-Thru	Reach-In	Pass-Thru	
<b>DIMENSIONAL DATA</b>									
Net Capacity (cu.ft.)	21	21	30	30	50	50	73	73	
Width, Overall (in.)	28½	28½	36¼	36¼	57	57	85½	85½	
Depth, Overall (Incl. Hdls.) (in.)	35½	39	35½	39	35½	39	35½	39	
Depth (Less Door(s)) (in.)	32	32	32	32	32	32	32	32	
Depth (Door(s) Open 90°) (in.)	58	84	66	100	58	84	58	84	
Clear Door Width (in.)	21⅞	21⅞	29⅞	29⅞	21⅞	21⅞	21⅞	21⅞	
Clear Full-Door Height (in.)	58⅞	58⅞	58⅞	58⅞	58⅞	58⅞	58⅞	58⅞	
Clear Half-Door Height (in.)	27½	27½	27½	27½	27½	27½	27½	27½	
Height, Overall (Incl. 5" Casters) (in.)	82¼	82¼	82¼	82¼	82¼	85¼	85¼	85¼	
Full Door(s)	1	2	1	2	2	4	3	6	
Half Door(s)	2	4	2	4	4	8	6	12	
Shelves	3	3	3	3	6	6	9	9	
Shelf Area (sq. ft.)	20.4	20.4	24.4	24.4	40.8	40.8	61.2	61.2	
Tray Slide Capacity (Half)	11 ea.	11 ea.	12 ea.	12 ea.	11 ea.	11 ea.	11 ea.	11 ea.	
Tray Slide Capacity (Full)	24 ea.	24 ea.	24 ea.	24 ea.	24 ea.	24 ea.	24 ea.	24 ea.	
<b>REFRIGERATION DATA</b>									
Condensing Unit Size (H.P.)	⅓	⅓	½	½	½	¾	¾	1	
Capacity (BTU/Hr)*	1590	1590	1840	1840	2470	3575	3575	4325	
<b>ELECTRICAL DATA</b>									
Cabinet Specifications	115/60/1	115/60/1	115/60/1	115/60/1	115/60/1	115/208-230/60/1	115/208-230/60/1	115/208-230/60/1	
Feed Wires (Incl. Ground)	3	3	3	3	3	4	4	4	
Condensing Unit Specs.	115/60/1	115/60/1	115/60/1	115/60/1	115/60/1	208-230/60/1	208-230/60/1	208-230/60/1	
Total Amperes	7.6	8.0	10.3	10.6	10.0	9.3	12.1	14.3	
Cabinet Amperes	1.6	1.9	1.8	2.1	1.9	2.9	2.9	3.9	
Defrost Amperes	5.2	5.2	6.5	6.5	6.5	9.6	9.6	9.6	
Power Supply Cord	yes	yes	yes	yes	yes	no	no	no	
<b>SHIPPING DATA</b>									
Height – crated (in.)	85½	85½	85½	85½	85½	85½	85½	85½	
Width – crated (in.)	31⅞	31⅞	42	42	64	64	90	90	
Depth – crated (in.)	42	42	42	42	42	42	42	42	
Volume – crated (cu. ft.)	63	63	87	87	129	129	181	181	
Weight Std – crated (lbs.)	345	375	445	450	595	695	850	945	
Weight SS – crated (lbs.)	395	435	505	510	675	785	965	1060	
Weight Std – uncrated (lbs.)	245	275	345	350	425	535	640	735	
Weight SS – uncrated (lbs.)	295	335	405	410	525	615	755	850	

\*Rating @ -15°F Evaporator, 90° Ambient

Note: If the cabinet is located directly against wall and/or under low ceiling, a minimum clearance of 12" is required.

Note: All specifications subject to change without notice.



A Division of National Refrigeration & A/C Products, Inc.  
 539 Dunksferry Road Bensalem, PA 19020  
 (800) 523-7138 Fax: (215) 244-9579  
 www.continentalrefrigerator.com