

# REACH-IN FREEZER

## Product Specifications

### 2F - Freezer

Solid Doors, Self-Contained

Two section upright freezer model with stainless steel front, aluminum end panels and interior with 3" non-CFC polyurethane foam insulation.



ENERGY STAR® Qualified Commercial Freezer

#### OPTIONS AND ACCESSORIES

- |   |  |
|---|--|
| • Stainless steel case back                     | • Adjustable Legs  |
| • Pan slide assemblies                          | • Half doors   |
| • Increased refrigeration systems               | • Pass-Thru  |
| • Stainless steel shelves                       | • Remote models  |
| • Digital thermometer                           | • Shallow-Depth  |
| • Rehinging of doors ( <i>consult factory</i> ) | • Hinged glass doors   |
| • Expansion valve system                        | • Special electrical requirements ( <i>consult factory</i> ) |

*Consult factory for other model configurations, options and accessories.*

**Continental**  
Refrigerator

Toll-Free: 800-523-7138  
Phone: 215-244-1400  
Fax: 215-244-9579

539 Dunksferry Road  
Bensalem, PA 19020  
[www.continentalrefrigerator.com](http://www.continentalrefrigerator.com)

#### DIMENSIONAL DATA

Net Capacity (cu. ft.)	48 (1359 cu l)
Width, Overall (in.)	52 (1321 mm)
Depth, Overall (incl. handles) (in.)	35 <sup>3</sup> / <sub>8</sub> (899 mm)
Depth [less door(s)] (in.)	32 (813 mm)
Depth [door(s) open 90°] (in.)	55 <sup>1</sup> / <sub>2</sub> (1410 mm)
Clear Door Width (in.)	19 <sup>3</sup> / <sub>8</sub> (492 mm)
Clear Full Door Height. (in.)	58 <sup>5</sup> / <sub>8</sub> (1489 mm)
Clear Half Door Height. (in.)	27 <sup>1</sup> / <sub>2</sub> (699 mm)
Height, Overall (incl. 5" casters) (in.)	82 <sup>1</sup> / <sub>4</sub> (2089 mm)
No. of Full Door(s)	2
No. of Half Door(s)	4
No. of Shelves	6
Shelf Area (sq. ft.)	40.8 (3.8 sq m)
Tray Slide Capacity (per half section)	8 ea.
Tray Slide Capacity (per full section)	16 ea.

#### REFRIGERANT DATA

Condensing Unit Size (H.P.)	1/2
Capacity (BTU/Hr)*	2470

#### ELECTRICAL DATA

Cabinet	115/60/1
Feed Wires (incl. ground)	3
Condensing Unit	115/60/1
Total Amps	9.8
Cabinet Amps	1.9
Defrost Amps	6.5

#### SHIPPING DATA

Height - Crated (in.)	85 <sup>1</sup> / <sub>2</sub> (2172 mm)
Width - Crated (in.)	64 (1626 mm)
Depth - Crated (in.)	42 (1067 mm)
Volume - crated (cu. ft.)	133 (3766 cu l)
Weight Standard - Crated (lbs.)	555 (252 kg)
Weight SS - Crated (lbs.)	635 (288 kg)
Weight Standard - Uncrated (lbs.)	385 (175 kg)
Weight SS - Uncrated (lbs.)	465 (211 kg)

\* Rating @ -15°F evaporator, 90°F ambient  
Figures in parentheses reflect metric equivalents.

**IMPORTANT NOTE:** If the cabinet is located directly against a wall and/or under a low ceiling, a minimum clearance of 12" is required.

Project Name:

Model Specified:

Location:

Item No:

Quantity:

APPROVAL:

## Standard Design Features

### REFRIGERATION SYSTEM

Environmentally-safe R-404A refrigerant

### CABINET ARCHITECTURE

3" non-CFC polyurethane foam insulation

Chrome-plated flow line handles

Cam action, lift off hinges

Self-closing doors

Magnetic snap-in door gasket

Cylinder lock in each door

5" casters

Heavy-duty epoxy-coated steel shelves

### MODEL FEATURES

Automatic interior lighting

Exterior dial thermometer

Automatic, energy-saving, electric condensate evaporator

Automatic electric defrost

Energy saving switch for door heaters

### ELECTRICAL

Completely pre-wired at factory for connection to 115/60/1 phase, 15 amp dedicated outlet

10 ft. cord and plug set included, 90° plug

### STANDARD

Stainless steel front, aluminum end panels and interior

### SUFFIX SA

Stainless steel exterior, aluminum interior

### SUFFIX SS

Stainless steel exterior and interior

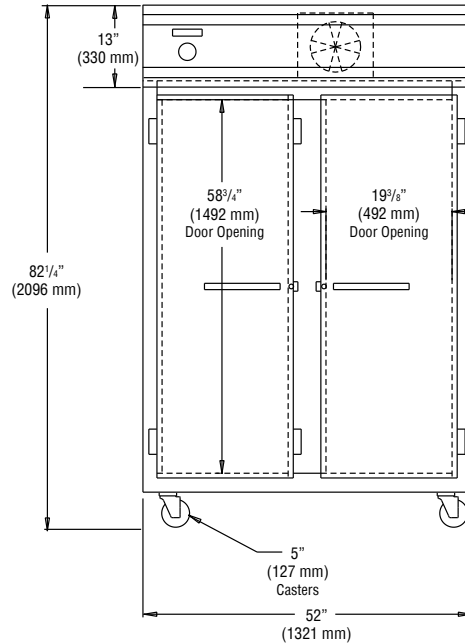


Equipped with one NEMA-5-15P Plug

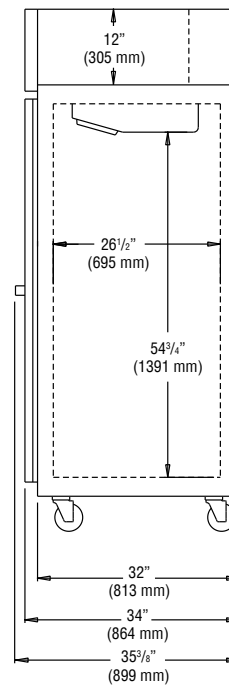
# REACH-IN FREEZER

## 2F - Freezer

Solid Doors, Self-Contained



FRONT VIEW



SIDE VIEW

**Continental**  
Refrigerator

Toll-Free: 800-523-7138  
Phone: 215-244-1400  
Fax: 215-244-9579

539 Dunkserry Road  
Bensalem, PA 19020  
[www.continentalrefrigerator.com](http://www.continentalrefrigerator.com)

Due to our continued efforts in developing innovative products, specifications subject to change without notice.



MADE IN THE U.S.A.

© Copyright 2013, Continental Refrigerator.  
A Division of National Refrigeration & Air Conditioning Products, Inc.