

# Continental

## Refrigerator

### SHALLOW DEPTH REACH-IN REFRIGERATORS

Utilizing Environmentally Safe, CFC-free R-134a Refrigerant



1RS



3RS



2RS

### Standard Features

- Modern, State-of-the-Art Styling
- Performance Rated Refrigeration System Utilizing Environmentally Safe R-134a Refrigerant
- 3" Non-CFC Polyurethane Foam Insulation
- Chrome Plated Flow Line Handles
- Cam-Action Lift-Off Hinges
- Self-Closing Doors
- Automatic Interior Lighting
- Magnetic Snap-In Door Gasket
- Cylinder Lock in Each Door
- Automatic Electric Condensate Evaporator
- 5" Casters
- Heavy-Duty, Epoxy-Coated Steel Shelves
- External Dial Thermometer

Standard (S/S Front, Aluminum End Panels & Interior)

Suffix SA (S/S Exterior, Aluminum Interior)

Suffix SS (S/S Exterior & Interior)

### Optional Features & Accessories

- Stainless Steel Case Back
- Increased Refrigeration Systems
- Stainless Steel Shelves
- Digital Thermometer
- Rehinging of Doors
- Legs
- Half Door
- Pass-Thru
- Remote
- 35½" Depth
- Hinged Glass Doors



## SHALLOW DEPTH REFRIGERATORS

### SPECIFICATIONS

#### CHARACTERISTICS

#### DIMENSIONAL DATA

	<b>1RS</b> One Section	<b>2RS</b> Two Section	<b>3RS</b> Three Section
	Reach-In	Reach-In	Reach-In
Net Capacity (cu. ft.)	16	32	50
Width, Overall (in.)	26	52	78
Depth, Overall (Incl. Hdls.) (in.)	29 <sup>1</sup> / <sub>2</sub>	29 <sup>1</sup> / <sub>2</sub>	29 <sup>1</sup> / <sub>2</sub>
Depth (Less Door(s)) (in.)	26	26	26
Depth (Doors(s) Open 90°) (in.)	49 <sup>3</sup> / <sub>8</sub>	49 <sup>3</sup> / <sub>8</sub>	49 <sup>3</sup> / <sub>8</sub>
Clear Door Width (in.)	19 <sup>3</sup> / <sub>8</sub>	19 <sup>3</sup> / <sub>8</sub>	19 <sup>3</sup> / <sub>8</sub>
Clear Full-Door Height (in.)	58 <sup>5</sup> / <sub>8</sub>	58 <sup>5</sup> / <sub>8</sub>	58 <sup>5</sup> / <sub>8</sub>
Clear Half-Door Height (in.)	27 <sup>1</sup> / <sub>2</sub>	27 <sup>1</sup> / <sub>2</sub>	27 <sup>1</sup> / <sub>2</sub>
Height, Overall (Inc. 5" Casters)(in.)	82 <sup>1</sup> / <sub>4</sub>	82 <sup>1</sup> / <sub>4</sub>	82 <sup>1</sup> / <sub>4</sub>
No. of Full Door(s)	1	2	3
No. of Half Door(s)	2	4	6
No. of Shelves	3	6	9
Shelf Area (sq. ft.)	20.4	40.8	61.2

#### REFRIGERATION DATA

Condensing Unit Size (H.P.)	1/4	1/3	1/2
Capacity (BTU/Hr)*	1940	2560	4010

#### ELECTRICAL DATA

Cabinet Specifications	115/60/1	115/60/1	115/60/1
Feed Wires (Incl. Ground)	3	3	3
Condensing Unit Specs.	115/60/1	115/60/1	115/60/1
Total Amperes	6.9	9.1	12.0
Cabinet Amperes	1.6	1.9	2.9
Power Supply Cord	yes	yes	yes

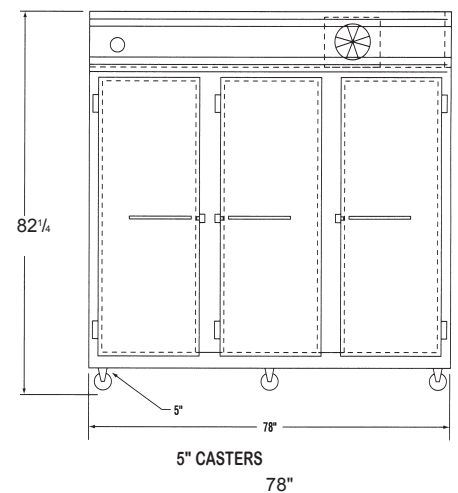
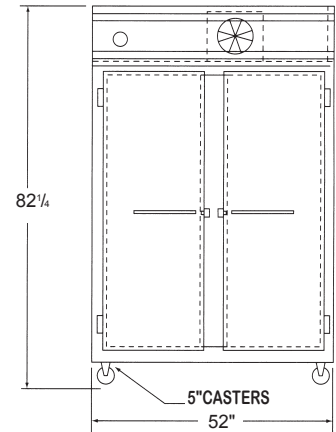
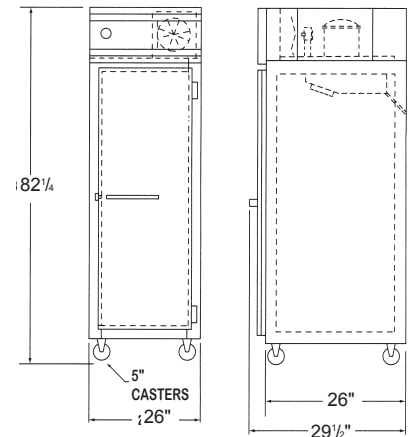
#### SHIPPING DATA

Height – crated (in.)	85 <sup>1</sup> / <sub>2</sub>	85 <sup>1</sup> / <sub>2</sub>	85 <sup>1</sup> / <sub>2</sub>
Width – crated (in.)	31 <sup>5</sup> / <sub>8</sub>	64	90
Depth – crated (in.)	42	42	42
Volume – crated (cu.ft.)	65	133	187
Weight Std – crated (lbs.)	310	520	725
Weight SS – crated (lbs.)	370	600	840
Weight Std – uncrated (lbs.)	210	350	515
Weight SS – uncrated (lbs.)	270	430	630

\* Rating @ +25°F Evaporator, 90° Ambient

Note: All specifications subject to change without notice.

Note: If the cabinet is located directly against wall and/or under low ceiling, a minimum clearance of 12" is required.



# Continental

Refrigerator

A Division of National Refrigeration & A/C Products, Inc.  
 539 Dunksferry Road Bensalem, PA 19020  
 (800) 523-7138 Fax: (215) 244-9579  
[www.continentalrefrigerator.com](http://www.continentalrefrigerator.com)