

# Continental

## Refrigerator

*Designer-line*  
WARMERS

REACH-IN & PASS-THRU  
EXTRA-WIDE WARMERS  
90° TO 180° RANGE



DL2WE-SS

DL1WE-SS-PT

DL3WE-SS

Standard (S/S Front, Aluminum Ends & Interior)  
Suffix SA (S/S Exterior, Aluminum Interior)  
Suffix SS (S/S Exterior & Interior)

### Standard Features

- Modern, State-of-the-Art Styling
- Top Mounted Heating Plenum "Plug" Design with Circulating Fans for Uniform Temperature Distribution
- Humidity Relief Vent
- 3" Non-CFC Polyurethane Foam Insulation
- Cam-Action Lift-Off Hinges
- Self-Closing Doors
- Magnetic Snap-In Door Gaskets
- Cylinder Lock In Each Door
- Exterior Thermostat Control with Master On/Off Switch
- Adjustable 6" Stainless Steel Legs
- Heavy Duty, Chrome Plated Steel Shelves
- External Digital Thermometer
- Automatic Interior Lighting

### Options & Accessories

- Half Door
- ConsultFactory
- Pass-Thru
- Prison Package

### Heating System (Range 90°F to 180°F)

Electrically operated heating system is controlled by means of a highly sensitive calibrated thermostat mounted on the cabinet front. Fin strip heating elements are located at the base of the interior. Air circulating blower located in a top mounted, concealed "plug" housing distributes heat throughout product zone, assuring uniform cabinet temperatures. Cabinet top has a built-in humidity relief vent. The entire "plug" system is mounted on a sturdy steel, rail-type base which can be easily removed if refrigerator or freezer conversion is desired. A strict quality assurance team inspects all material and components to certify that each model conforms to the most exacting standards. All models are factory performance tested for a minimum of 16 hours prior to crating.

### Cabinet Construction

All materials are of top quality, assembled to conform with strict quality-assurance requirements. The cabinet front and doors are constructed of heavy-gauge polished stainless steel for durability. All cabinet joints and seams are sealed vapor-tight. Case is of all metal, welded construction and internally supported and braced for a rigid unit construction. Cabinet design eliminates overlapping panels with raw edges. Cabinet body and doors are insulated with non-CFC, foamed-in-place polyurethane foam with an average thickness of 3 inches to ensure increased energy efficiency. Automatic interior lighting is controlled by door openings. Cabinets are equipped with 6-inch adjustable stainless steel legs.

### Shelving

Shelves are designed for heavy-duty use with .360" diameter frame brace members and .140" diameter fill wires spaced 3/4" apart. Shelves are welded steel and chrome plated for a durable, long, rust-free service life. Adjustments are in 1/2 inch increments and a wide door opening allows the use of a variety of optional pan and tray slide types.

### Door Construction

Door shells are constructed of heavy-gauge stainless steel and are internally braced and urethane-foam-insulated for rigidity. Door corners are of welded construction and polished. Replaceable snap-in door gaskets are self-adjusting, heavy-duty, magnetic type. Door handles and hinges are chrome-plated and non-corrosive. Doors are provided with built-in cylinder locks which are keyed alike. Hinges are cam action, lift-off type featuring positive safety stop at 120 degrees.





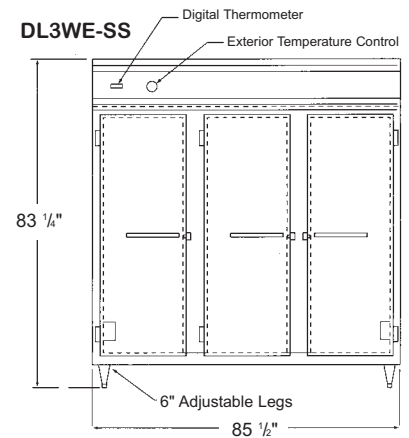
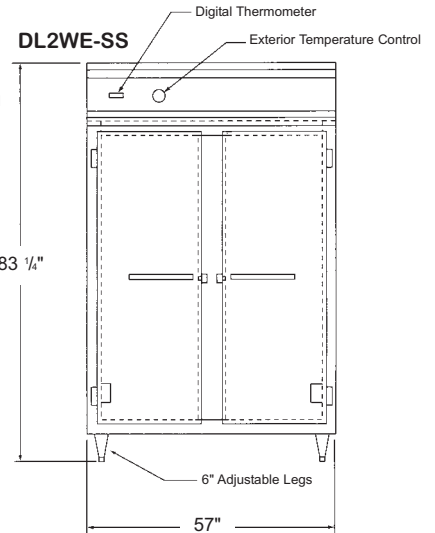
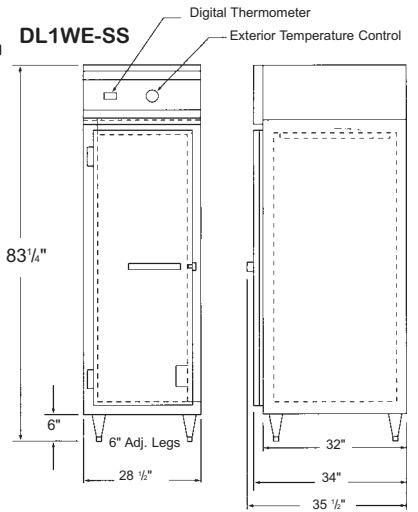
CHARACTERISTICS	DL1WE-SS One Section		DL2WE-SS Two Section		DL3WE-SS Three Section	
	Reach-In	Pass-Thru	Reach-In	Pass-Thru	Reach-In	Pass-Thru
<b>DIMENSIONAL DATA</b>						
Net Capacity (cu. ft.)	22	22	52	52	75	75
Width, Overall (in.)	28 <sup>1</sup> / <sub>2</sub>	28 <sup>1</sup> / <sub>2</sub>	57	57	85 <sup>1</sup> / <sub>2</sub>	85 <sup>1</sup> / <sub>2</sub>
Depth, Overall (Incl. Hdls.) (in.)	35 <sup>1</sup> / <sub>2</sub>	39	35 <sup>1</sup> / <sub>2</sub>	39	35 <sup>1</sup> / <sub>2</sub>	39
Depth (Less Door(s)) (in.)	32	32	32	32	32	32
Depth (Doors(s) Open 90°) (in.)	58	84	58	84	58	84
Clear Door Width (in.)	21 <sup>7</sup> / <sub>8</sub>	21 <sup>7</sup> / <sub>8</sub>	21 <sup>7</sup> / <sub>8</sub>	21 <sup>7</sup> / <sub>8</sub>	21 <sup>7</sup> / <sub>8</sub>	21 <sup>7</sup> / <sub>8</sub>
Clear Full-Door Height (in.)	58 <sup>5</sup> / <sub>8</sub>	58 <sup>5</sup> / <sub>8</sub>	58 <sup>5</sup> / <sub>8</sub>	58 <sup>5</sup> / <sub>8</sub>	58 <sup>5</sup> / <sub>8</sub>	58 <sup>5</sup> / <sub>8</sub>
Clear Half-Door Height (in.)	27 <sup>1</sup> / <sub>2</sub>	27 <sup>1</sup> / <sub>2</sub>	27 <sup>1</sup> / <sub>2</sub>	27 <sup>1</sup> / <sub>2</sub>	27 <sup>1</sup> / <sub>2</sub>	27 <sup>1</sup> / <sub>2</sub>
Height, Overall (Inc. 6" Legs)(in.)	83 <sup>1</sup> / <sub>4</sub>	83 <sup>1</sup> / <sub>4</sub>	83 <sup>1</sup> / <sub>4</sub>	83 <sup>1</sup> / <sub>4</sub>	83 <sup>1</sup> / <sub>4</sub>	83 <sup>1</sup> / <sub>4</sub>
No. of Full Door(s)	1	2	2	4	3	6
No. of Half Door(s)	2	4	4	8	6	12
No. of Shelves	3	3	6	6	9	9
Shelf Area (sq. ft.)	20.4	20.4	40.8	40.8	61.2	61.2
Tray Slide Capacity (Half)	12 ea.	12 ea.	12 ea.	12 ea.	12 ea.	12 ea.
Tray Slide Capacity (Full)	25 ea.	25 ea.	25 ea.	25 ea.	25 ea.	25 ea.

**ELECTRICAL DATA**

Cabinet Specifications	115/208-230/60/1	115/208-230/60/1	115/208-230/60/1	115/208-230/60/1	115/208-230/60/1	115/208-230/60/1
Feed Wires (Incl. Ground)	4	4	4	4	4	4
Total Amperes	7.8	7.8	14.3	14.3	20.8	20.8
Total Wattage @ 208-230 Volts	1500	1500	2250	2250	3000	3000
Power Supply Cord	no	no	no	no	no	no

**SHIPPING DATA**

Height – crated (in.)	85 <sup>1</sup> / <sub>2</sub>	85 <sup>1</sup> / <sub>2</sub>	85 <sup>1</sup> / <sub>2</sub>	85 <sup>1</sup> / <sub>2</sub>	85 <sup>1</sup> / <sub>2</sub>	85 <sup>1</sup> / <sub>2</sub>
Width – crated (in.)	31 <sup>5</sup> / <sub>8</sub>	31 <sup>5</sup> / <sub>8</sub>	64	64	90	90
Depth – crated (in.)	42	42	42	42	42	42
Volume – crated (cu.ft.)	65	65	133	133	187	187
Weight Std – crated (lbs.)	300	330	510	570	715	805
Weight SS – crated (lbs.)	360	390	590	650	830	920
Weight Std – uncrated (lbs.)	200	230	340	400	505	590
Weight SS – uncrated (lbs.)	260	290	420	480	620	710



Note: All specifications subject to change without notice.



A Division of National Refrigeration & A/C Products, Inc.  
 539 Dunksferry Road Bensalem, PA 19020  
 (800) 523-7138 Fax: (215) 244-9579  
 www.continentalrefrigerator.com