

# DESIGNER LINE WORKTOP FREEZER (0°F)

**Model: DLF36-SS-U**

## 36" Worktop Freezer with Solid Doors for Undercounter Applications

Stainless steel exterior and interior with stainless steel top.

Designed to maintain NSF-7 temperatures in 100°F ambient.



### Options and Accessories

(upcharge and lead times may apply)

|  |  |
|--|--|
| Additional epoxy-coated steel shelves    | Remote models  |
| Automatic electric condensate evaporator | Door locks   |
| Stainless steel shelves                  | Special electrical requirements<br>(consult factory) |
| Expansion valve system                   |  |

Consult factory for other model configurations, options and accessories.

Project Name:

Model Specified:

Location:

Item No:

Quantity:

AIA #:

SIS #:

### Standard Model Features

#### REFRIGERATION SYSTEM

- Performance-rated refrigeration system
- Environmentally-safe R-404A refrigerant
- Automatic, energy-saving, non-electric condensate evaporator
- Non-corrosive, plasticized fin evaporator coil
- Easily serviceable back mounted compressor

#### CABINET ARCHITECTURE

- 2" non-CFC polyurethane foam insulation
- Spring loaded, self closing doors
- Magnetic snap-in door gaskets
- Heavy-duty, epoxy-coated steel shelves
- Completely enclosed, vented and removable case back
- 1 3/8" diameter plate casters (factory installed)

#### MODEL FEATURES

- Interior hanging thermometer
- 2" high, bottom mounted front breather air divider
- Automatic electric defrost
- Field rehingeable doors

**Continental**  
Refrigerator

Toll-Free: 800-523-7138  
Phone: 215-244-1400  
Fax: 215-244-9579

539 Dunksferry Road  
Bensalem, PA 19020  
www.continentalrefrigerator.com

APPROVAL:

## Model Specifications

### DIMENSIONAL DATA

|   |                   |
|---|-------------------|
| Net Capacity (cu. ft.)                                | 10.3 (292 cu l)   |
| Width, Overall (in.)                                  | 36 (914 mm)       |
| Depth, Overall (in.)<br>(incl. handles & bumpers)     | 31 3/16 (792 mm)  |
| Height, Overall (in.)<br>(incl. 1 3/8" plate casters) | 31 13/16 (808 mm) |
| Shelf Area (sq. ft.)                                  | 4.6 (.4 sq m)     |
| No. of Shelves  | 2                 |
| No. of Doors  | 2                 |
| Interior Depth (in.)                                  | See Drawing       |
| Interior Height (in.)                                 | 26 1/4 (667 mm)   |
| Interior Width (in.)                                  | 32 (813 mm)       |

### REFRIGERANT DATA

|                             |      |
|-----------------------------|------|
| Condensing Unit Size (H.P.) | 1/3  |
| Capacity (BTU/Hr)*          | 1340 |

### ELECTRICAL DATA

|                                     |                     |
|-------------------------------------|---------------------|
| Voltage (int'l)                     | 115/60/1 (220/50/1) |
| Fans                                | 1                   |
| Total Amps (int'l)                  | 5.8 (2.8)           |
| Defrost Amps (int'l)                | 3.9 (2.0)           |
| 10 ft. Cord/Plug [attached] (int'l) | Yes (No)            |

### SHIPPING DATA

|                       |                  |
|-----------------------|------------------|
| Weight (lbs.)         | 260 (118 kg)     |
| Height - Crated (in.) | 43 1/4 (1099 mm) |
| Width - Crated (in.)  | 43 (1092 mm)     |
| Depth - Crated (in.)  | 37 1/4 (946 mm)  |

\* Rating @ -15°F evaporator, 90°F ambient

Figures in parentheses reflect metric equivalents rounded to the nearest whole unit.



Equipped with one NEMA-5-15P Plug  
(varies by country)

# Continental

Refrigerator

Toll-Free: 800-523-7138  
Phone: 215-244-1400  
Fax: 215-244-9579

539 Dunksferry Road  
Bensalem, PA 19020  
[www.continentalrefrigerator.com](http://www.continentalrefrigerator.com)

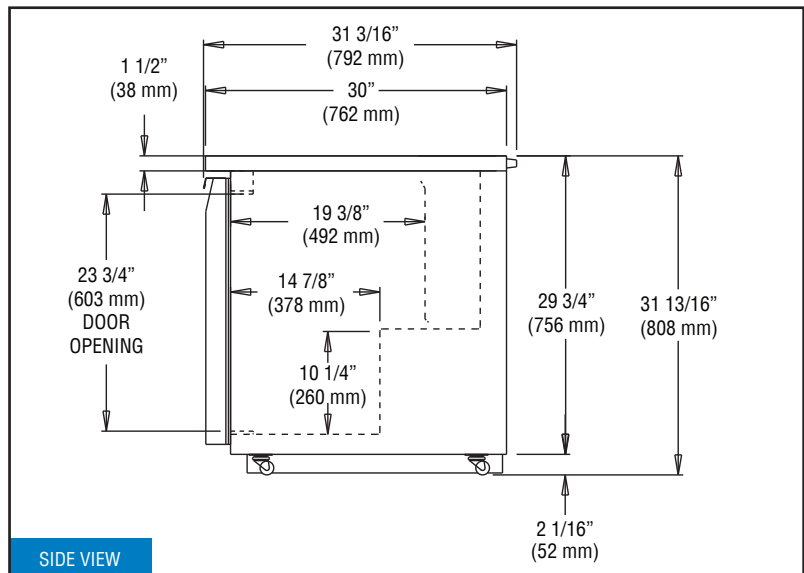
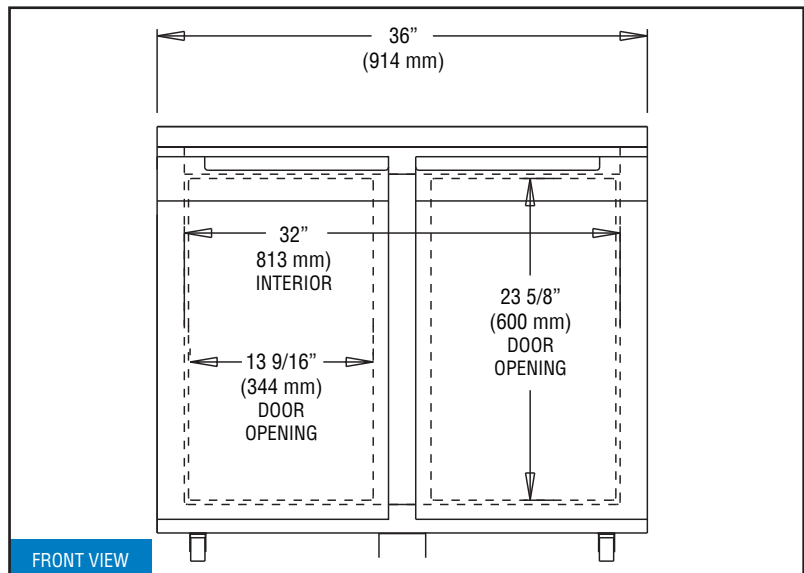
Due to our continued efforts in developing innovative products, specifications subject to change without notice.



MADE IN THE U.S.A.

© Copyright 2015, Continental Refrigerator.  
A Division of National Refrigeration & Air Conditioning Products, Inc.

## Model Plan Views



### REFRIGERATION SYSTEM

The self-contained refrigeration system is rear mounted, concealed behind a removable back cover. Bottom mounted, low-profile air divider allows for even air circulation to condensing unit. A "performance rated", air-cooled, hermetically sealed, expansion valve refrigeration system is installed in model. Plasticized finned coil and air circulating fans are contained within an easily accessible rear mounted housing. Our unique airflow design allows the cabinet to be enclosed on both sides or to be mounted flush against a wall.\* Our refrigeration system, fully charged with R-404A refrigerant, is designed to maintain 0°F while operating with an unrestricted air supply in an ambient temperature of 100°F. All condensate water is directed to a non-electric condensate vaporizer located in the compressor compartment, no plumbing is required. A strict quality assurance team inspects all materials and components to certify that the model conforms to the most exacting standards. Model is performance tested for a minimum of 16 hours prior to crating.

### INSULATION

All cabinet walls, top and bottom have high density, foamed-in-place, non-CFC polyurethane insulation.

### CABINET CONSTRUCTION

Materials are top quality, assembled under rigid supervision conforming to strict quality assurance requirements. Case is welded metal construction, internally supported and braced for rigid unit construction. Exterior cabinet back and bottom are heavy gauge galvanized steel.

Design eliminates overlapping panels with raw edges. Interior corners are rounded with 1/4" radius. Joints and seams are vapor-tight sealed. Easily removable anti-sweat door heaters, concealed by non-metallic, non-conductive, high impact thermal breaker strips, eliminates condensation build-up on case front.

### DOOR CONSTRUCTION

Door shells are constructed of heavy-gauge stainless steel and are internally braced and urethane-foam-insulated for rigidity. Door corners are of welded construction and polished. Replaceable snap-in door gaskets are self adjusting, heavy-duty, magnetic type. Door handles and hinges are chrome-plated and non-corrosive. Hinges are spring loaded, heavy duty and self-closing.

\*NOTE: For proper operation, the area under and in front of the cabinet **must** not be obstructed in any way.