

WORKTOP FREEZER (0°F)

Model: SWF27-BS

27" Worktop Freezer with Solid Door and 6" Backsplash

Stainless steel front and top, aluminum end panels, case back and interior.

Designed to maintain NSF-7 temperatures in 100°F ambient.



Options and Accessories

(upcharge and lead times may apply)

| | |
|---|--|
| Stainless steel exterior and interior | Glass door - GD models |
| Stainless back in lieu of aluminum | Expansion valve system |
| Overshelves (single or double) | Adjustable legs |
| Additional epoxy-coated steel shelves | Remote models |
| Stainless steel shelves | Door lock |
| Automatic electric condensate evaporator | Digital thermometer |
| Stainless steel roll-out drawers in lieu of door - D models | Special electrical requirements (<i>consult factory</i>) |

Consult factory for other model configurations, options and accessories.

Continental
Refrigerator

Toll-Free: 800-523-7138
Phone: 215-244-1400
Fax: 215-244-9579

539 Dunksferry Road
Bensalem, PA 19020
www.continentalrefrigerator.com

Project Name:

Model Specified:

Location:

Item No:

Quantity:

AIA #:

SIS #:

Standard Model Features

REFRIGERATION SYSTEM

- Performance-rated refrigeration system
- Environmentally-safe R-404A refrigerant
- Automatic, energy saving, non-electric condensate evaporator
- Non-corrosive, plasticized fin evaporator coil
- Easily serviceable, back mounted compressor

CABINET ARCHITECTURE

- 2" non-CFC polyurethane foam insulation
- Spring loaded, self closing door
- Magnetic snap-in door gasket
- Heavy-duty, epoxy-coated steel shelf
- Completely enclosed, vented and removable case back
- 5" casters

MODEL FEATURES

- Interior hanging thermometer
- Field rehingable door
- Automatic electric defrost

APPROVAL:

Model Specifications

DIMENSIONAL DATA

| | |
|--|------------------|
| Net Capacity (cu. ft.) | 7.4 (210 cu l) |
| Width, Overall (in.) | 27 1/2 (699 mm) |
| Depth, Overall (in.) (incl. handle & bumpers) | 31 7/16 (799 mm) |
| Depth, Body Only (less door) (in.) | 27 1/2 (699 mm) |
| Height, Overall (in.) (incl. 5" casters) | 40 3/4 (1035 mm) |
| Shelf Area (sq. ft.) | 3.5 (.3 sq m) |
| No. of Shelves | 1 |
| No. of Doors | 1 |
| Interior Depth (in.) | See Drawing |
| Interior Height (in.) | 26 1/4 (667 mm) |
| Interior Width (in.) | 24 1/2 (622 mm) |

REFRIGERANT DATA

| | |
|-----------------------------|------|
| Condensing Unit Size (H.P.) | 1/3 |
| Capacity (BTU/Hr)* | 1340 |

ELECTRICAL DATA

| | |
|-------------------------------------|---------------------|
| Voltage (int'l) | 115/60/1 (220/50/1) |
| Fans | 1 |
| Total Amps (int'l) | 5.8 (2.8) |
| Defrost Amps (int'l) | 3.9 (2.0) |
| 10 ft. Cord/Plug [attached] (int'l) | Yes (No) |

SHIPPING DATA

| | |
|-----------------------|------------------|
| Weight (lbs.) | 170 (77 kg) |
| Height - Crated (in.) | 43 1/4 (1099 mm) |
| Width - Crated (in.) | 35 3/4 (908 mm) |
| Depth - Crated (in.) | 37 1/4 (946 mm) |

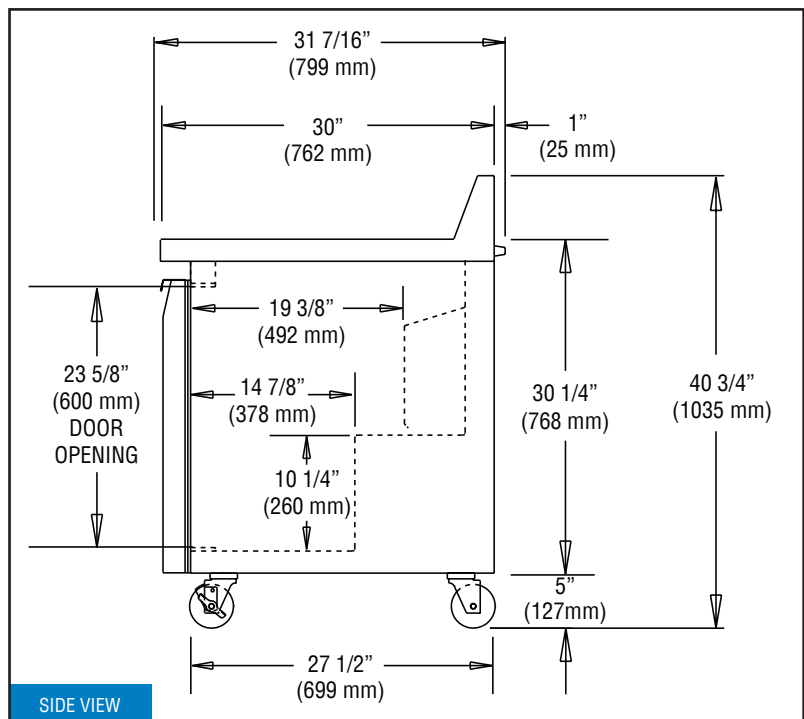
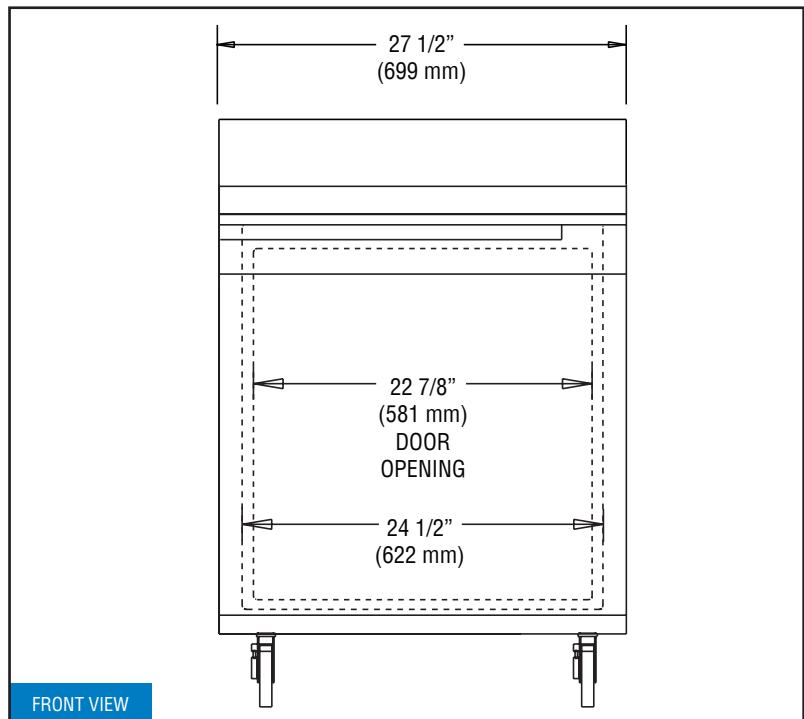
* Rating @ -15°F evaporator, 90°F ambient

Figures in parentheses reflect metric equivalents rounded to the nearest whole unit.



Equipped with one NEMA-5-15P Plug
(varies by country)

Model Plan Views



Continental

Refrigerator

Toll-Free: 800-523-7138
Phone: 215-244-1400
Fax: 215-244-9579

539 Dunkserry Road
Bensalem, PA 19020
www.continentalrefrigerator.com

Due to our continued efforts in developing innovative products, specifications subject to change without notice.



MADE IN THE U.S.A.

© Copyright 2013. Continental Refrigerator.
A Division of National Refrigeration & Air Conditioning Products, Inc.