



EST-44/66
 High Temperature
 Low Temperature
 44"/66" Conveyor Dishwasher



FEATURES:

- **ENERGY STAR® Approved.**
- Automatic water control system.
- 243 racks / 970 covers per hour.
- Economical to operate. Uses only .49 gallons of water per rack of dishes.
- Single control switch activation.
- Power rinse heater system.
- Unique 3-stage (EST44) washing process provides wash, power rinse and final rinse all in a 44" machine.
- Unique 4-stage (EST66) washing process provides two wash stations, power heated rinse and final rinse all in a 66" machine.
- Automatic soil purging system filters wash water and traps plate debris into an external tray. Tray can be easily removed for cleaning.
- All stainless steel construction offers durable performance and years of trouble-free operation.
- Chemical resistant industrial heaters are proven to be more durable than commercial grade heaters.
- Large 19" opening accommodates larger items and utensils.
- Auto start/stop makes operation more energy efficient.
- Easy to remove and replace curtains for cleaning.
- Includes table limit switch and rack saver clutch system that protects the machine, dishracks and table from damage.
- Stainless steel chemical injection chamber.



Available Options

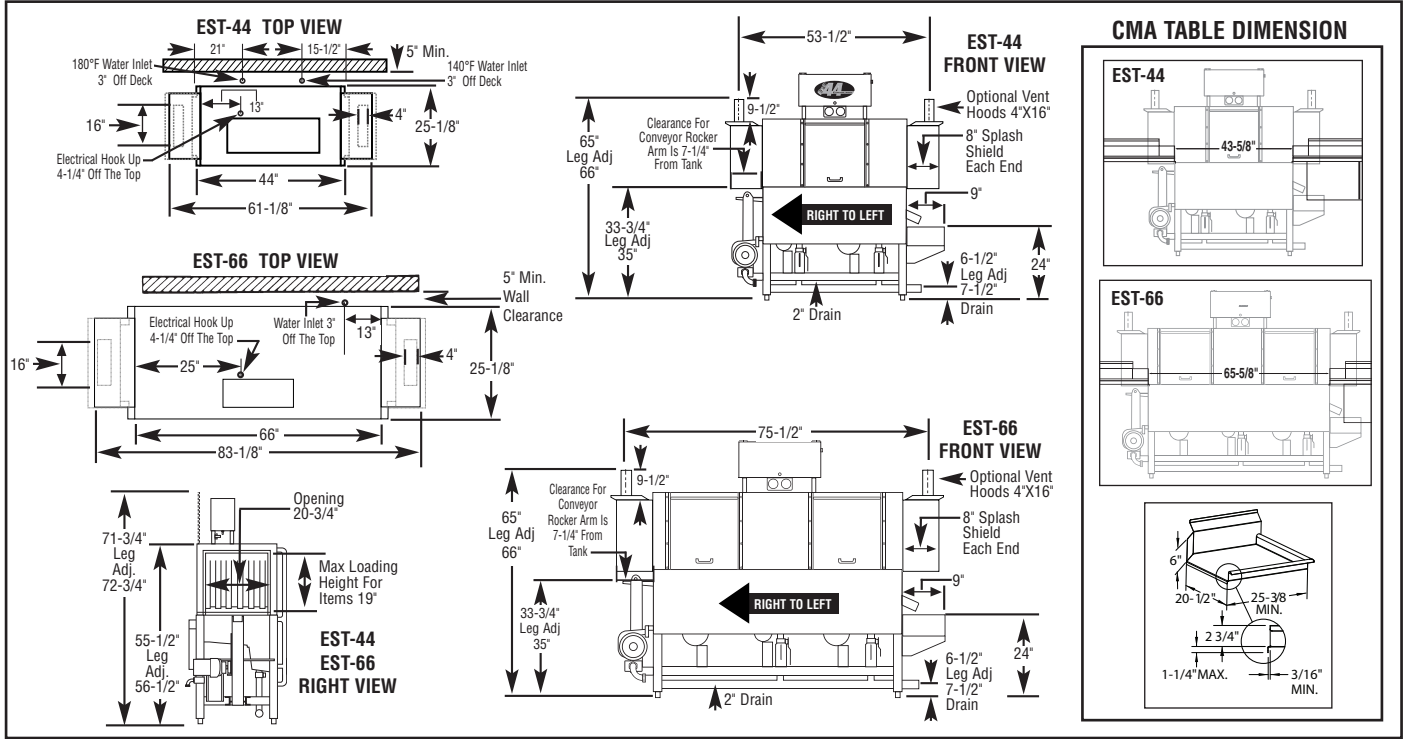
- Corner Feed Table (left or right must specify)
FACTORY INSTALLED ONLY
- Vent Hood with 4" x 16" Vent and Damper Control (2 per set)
- Stainless Steel dishtables
- Drain Water Tempering Kit
- "E Temp" CMA booster heater(40° and 70° rise)
FACTORY INSTALLED ONLY
- Hatco Booster Heater also available (specify voltage & phase)
- Single Drain Connection Kit
- 208V-240V / 480V
- Sheet Pan Rack P/N: 1154.00
- 6" EXT height accommodates pots and pans and larger sheet pans
- Exhaust Fan Control
- **Note: E-Temp not available single phase 70° rise.**
- **Note: E-Temp standard voltage 208-230V three phase**





EST-44/66
 High Temperature
 Low Temperature
 44"/66" Conveyor Dishwasher

WARNING: Plumbing connections must be made by a qualified service company who will comply with all (necessary) Federal, State, and Local Health, Plumbing and Safety codes.



Specifications:

MODEL EST-44/66 H/L	USA	METRIC	USA	METRIC
OPERATING CAPACITY RACKS PER HOUR (NSF RATED)243	243			
CONVEYOR SPEED	6.75 FT./MIN.	(206 CM/MIN.)		
WASH PUMP MOTORS HP	1	1		
RINSE PUMP MOTOR HP	1/3	1/3		
CONVEYOR MOTOR HP	1/3	1/3		
WATER INLET - FILL	1/2"	(1.27cm)		
WATER INLET - FINAL RINSE	1/2"	(1.27cm)		
DRAIN SIZE	2"	(5.1cm)		
FINAL RINSE PRESSURE	20 ± 5psi	(1.41 kg/cm²)		
WASH TANK CAPACITY EST-44				
PRE-RINSE	4.25 GAL	(16.0 L)		
WASH	11.75 GAL	(44.5 L)		
TOTAL	16.0 GAL	(60.5 L)		
WASH TANK CAPACITY EST-66				
PRE-RINSE	5.25 GAL	(20.0 L)		
WASH	13.25 GAL	(50.0 L)		
TOTAL	18.5 GAL	(70.0 L)		
WASH PUMP CAPACITY				
EACH	52 GPM	(197 LPM)		
OPERATING TEMPERATURE EST-44/66				
WASH	150°F-160°F	(66°C/71°C)		
PUMPED RINSE	160°F	71°C		
FINAL RINSE	180°F-195°F	(82°C/90°C)		
OPERATING TEMPERATURE EST-44/66				
WASH RECOMMENDED	140°F-150°F	(60°C/68°C)		
PUMPED RINSE RECOMMENDED	140°F-150°F	(60°C/68°C)		
FINAL RINSE RECOMMENDED	140°F-150°F	(60°C/68°C)		
WATER CONSUMPTION				
PER RACK (FINAL RINSE)	.49 GAL	(1.8 L)		
PER HOUR (FINAL RINSE)	119 GPH	(450 LPH)		
DIMENSIONS				
DEPTH EST-44/EST-66	25-1/8"	(64cm)		
WIDTH EST-44	44"	(111.7cm)		
WIDTH EST-66	66"	(167.64cm)		
HEIGHT EST-44 / EST66	55-1/2"-56-1/2"	(140.97-143.51cm)		
STANDARD TABLE HEIGHT EST-44/EST-66	34"	(86cm)		
MAX LOADING HEIGHT FOR ITEMS EST-44/EST-66	19"	(48cm)		
STANDARD DISHRACK DIMENSIONS	1	1		
	19-3/4"X19-3/4"	(50X50cm)		
ELECTRICAL RATING	VOLTS	PHASE	AMPS (EST44)	AMPS (EST66)
	208	1	68	76
	240	1	76	83
	208	3	46	50
	240	3	51	55
	480	3	24	26
WASH TANK HEATER	12.75kW @ 240V			
RINSE TANK HEATER	3kW @ 240V			
SPECIFY DIRECTION OF RACK TRAVEL (RIGHT TO LEFT, LEFT TO RIGHT) WHEN ORDERING				
EST-44H/EST-66 EXHAUST VENTILATION REQUIREMENTS AT 100% CAPACITY CFM				
ENTRANCE END 200 MAX	DISCHARGE END 400 MAX	TOTAL CFM 600 MAX		
SHIPPING WEIGHT				
APPROXIMATE EST-44	662#		(300kg)	
APPROXIMATE EST-66	750#		(340kg)	

Summary Specifications: Model EST-44 / EST-66 Conveyors

The Models EST-44H/ EST-66H high temperature and EST-44L / EST-66L Chemical Sanitizing conveyor dishwashers meets ETL sanitation, UL, and CUL construction standards. The EST-44 / EST-66 performs three separate washing functions including a built-in power rinse, all in a 44" or 66" space. The EST-44 / EST-66 washes up to 243 racks per hour and uses a minimum .49 gallons of water per rack while achieving sparkling, clean, dry dishes. Constructed entirely of stainless steel.

Available Models

- EST-44H R/L Right to Left
- EST-44H L/R Left to Right
- EST-44L R/L Right to Left
- EST-44L L/R Left to Right
- EST-66H R/L Right to Left
- EST-66H L/R Left to Right
- EST-66L R/L Right to Left
- EST-66L L/R Left to Right



CMA Dishmachines 12700 Knott Street Garden Grove, CA 92841 • 800-854-6417 • 714-898-8781 • Fax: 714-895-2141 • www.cmadishmachines.com

CMA reserves the right to modify specifications or discontinue models without prior notification.