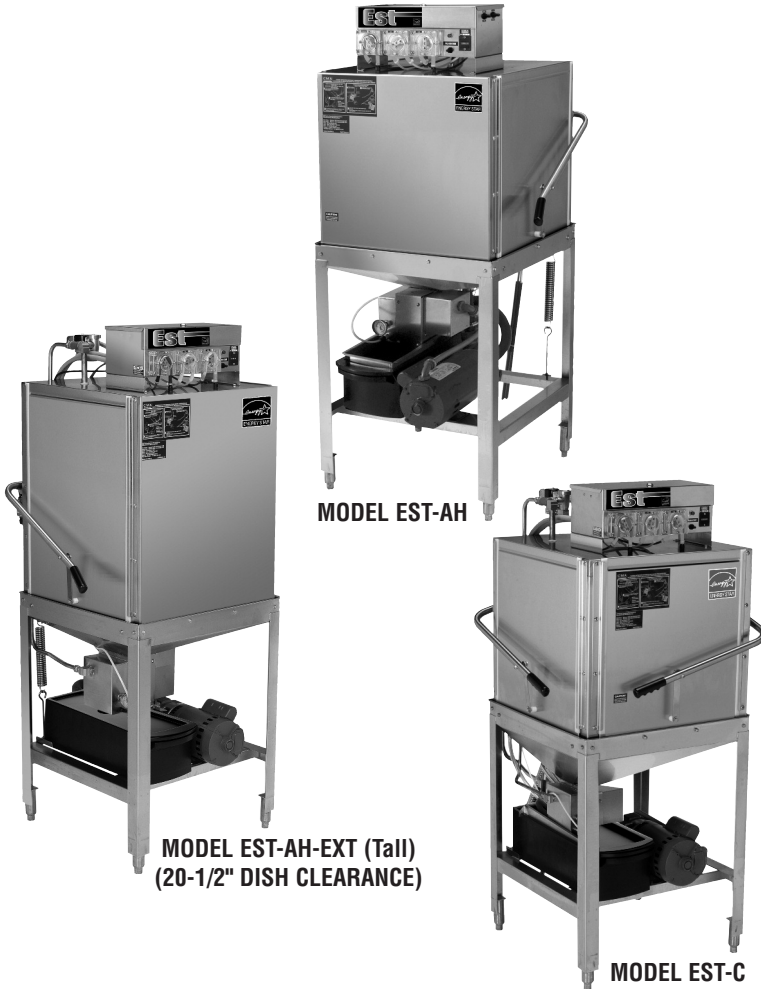




EST/EST-EXT
Chemical Sanitizing
Single Rack
Dishwashers

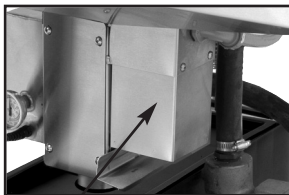


FEATURES:

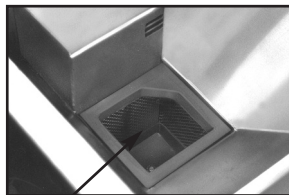
- **ENERGY STAR® Approved.**
- 40 racks / 160 covers per hour.
- Economical to operate. Uses only **1.09** gallons of water per cycle.
- All stainless steel construction assures long life and years of trouble free operation.
- Top mounted controls include built-in chemical pumps and delimiting system that assures proper chemical usage.
- Power drain saves space, eliminates noisy solenoid and external sump. Drains quickly.
- Available for straight or corner applications.
- Integrated scrap tray prevents food soil from entering drain system.
- Auto start/stop makes operation safe and easy.
- Unique sanitizing system provides instant sanitation and eliminates chlorine damage to the machine.

Available Options

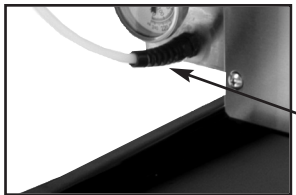
- Sanitizer Alarm
- Alternative cycle times
72 Seconds
2 Minutes
3 Minutes
- Stainless Steel Dishtables
- CMA Temp-Sure™
- Solid Bowl Dispenser



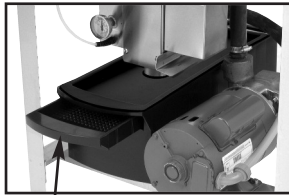
Power drain saves space, eliminates noisy solenoid and external sump. Drains quickly.



Self cleaning pump screen eliminates operator error. Saves service calls.



Unique sanitizing system sanitizer injector is located close to pump, allowing sanitizing to take place immediately. Strategic location eliminates chlorine damage to the machine.



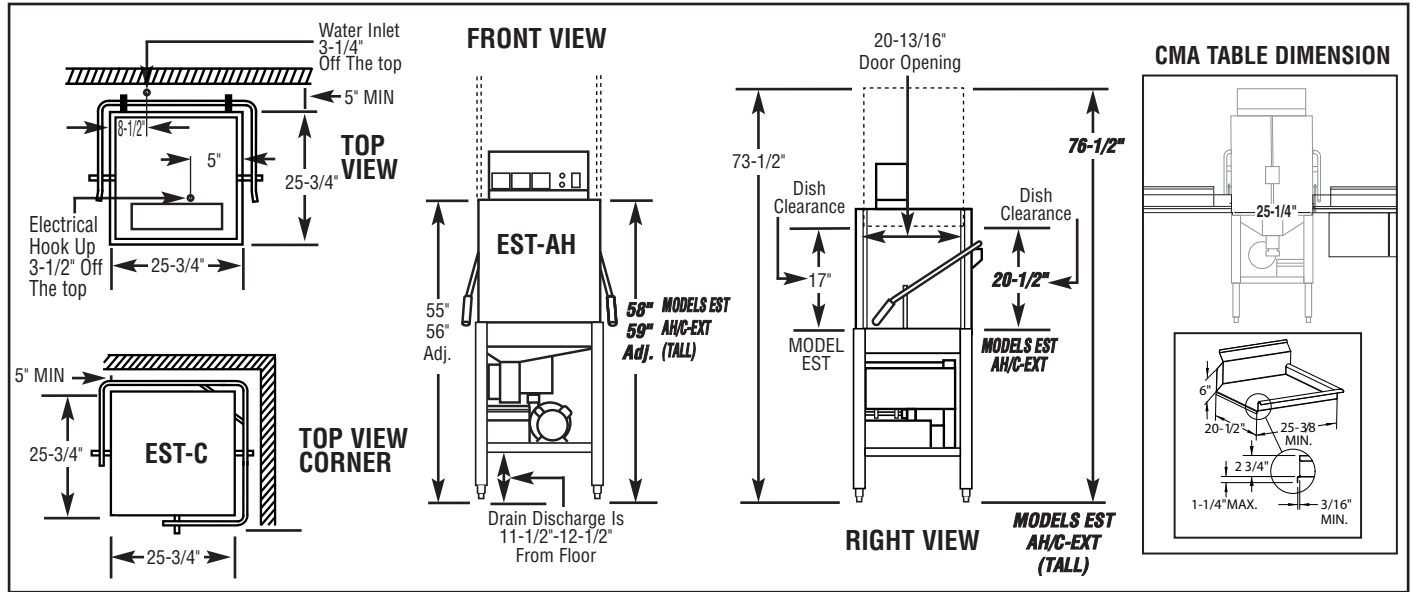
Built-in "Poly Pro"™ scrap accumulator.





EST/EST-EXT
 Chemical Sanitizing
 Single Rack
 Dishwasher

WARNING: Plumbing connections must be made by a qualified service company who will comply with all available Federal, State, and Local Health, Plumbing and Safety codes.



Specifications:

MODEL EST	USA	METRIC	USA	METRIC
WATER CONSUMPTION				
PER RACK	1.09 GAL.	(4.12L)		
PER HOUR	43.6 GPH	(165 L)		
WATER INLET	1/2"	(1.27cm)		
DRAIN	2"	(5.1cm)		
OPERATING CYCLE				
WASH TIME - SEC.	45	45		
RINSE TIME - SEC.	30	30		
DWELL	15	15		
TOTAL CYCLE	90	90		
OPERATING CAPACITY				
RACKS PER HOUR	40	40		
WASH TANK CAPACITY	1.09 GAL.	(4.12 L)		
PUMP CAPACITY	52 GPM	(197 LPM)		
OPERATING TEMPERATURE				
REQUIRED	120°F	(49°C)		
RECOMMENDED	140°F	(60°C)		
FRAME DIMENSIONS				
DEPTH	25-3/4"	(65.4cm)		
WIDTH	25-3/4"	(65.4cm)		
HEIGHT	55"-56"	(140cm)		
STANDARD TABLE HEIGHT	34"	(86cm)		
EST MAXIMUM CLEARANCE HEIGHT FOR DISHES	17"	(43.2cm)		
EST-EXT MAXIMUM CLEARANCE HEIGHT FOR DISHES	20-1/2"	(51.4cm)		
STANDARD DISHRACK	1	1		
DIMENSIONS	19-3/4"X19-3/4"	(50X50cm)		
WASH PUMP MOTOR HP	1	1		
ELECTRICAL RATING				
	VOLTS	AMPS		
	115	16		
SHIPPING WEIGHT				
APPROXIMATE	273#	(124 kg)		

Summary Specifications: Models EST/EST-EXT

The Energy Mizer model EST low temperature, chemical sanitizing commercial dishwasher meets UL Electrical and ETL Sanitation (NSF Standard 3) standards WITHOUT the use of BOOSTER or TANK HEATERS. Model EST is constructed entirely of stainless steel. Each unit automatically washes, rinses and sanitizes food service utensils in standard 20" x 20" racks. Unit comes with upper and lower stainless steel wash arms. **Note: This machine does not have built-in heaters, therefore produces no steam.**

Available Models

- EST-AH Straight
(17" Maximum clearance height for dishes)
- EST-C Corner
(17" Maximum clearance height for dishes)
- EST-AH-EXT (Straight Extended Height)
(20-1/2" Maximum clearance height for dishes)
- EST-C-EXT (Corner Extended Height)
(20-1/2" Maximum clearance height for dishes)

