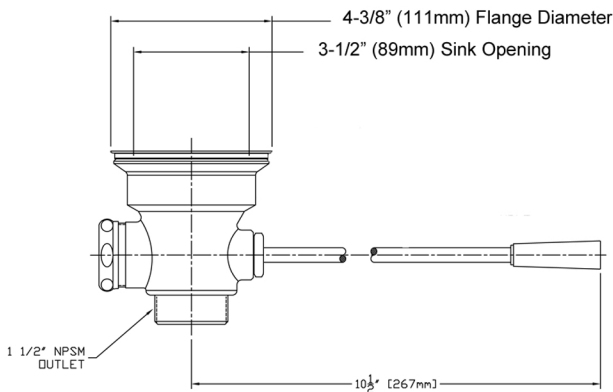


Encore® Lever Handle Waste Outlet with Capped Overflow

D10-xxxx Series

- D10-4150 2" NPS, 3" Sink
- D10-4151 1-1/2" NPS, 3" Sink
- D10-7400 2" NPS, 3-1/2" Sink
- D10-7300 1-1/2" NPS, 3-1/2" Sink



Dimensions shown in inches (mm) are for reference only and are subject to change.

1-1/2" or 2" NPS Male waste outlet
Flow Rate: Max 20gpm
Approximate shipping weight - 4 lbs
Warranty - 2 years parts

Solid heavy duty cast body is specification and commercial quality

Commercial Quality Features

- Nickel plated cast brass drain body
- Self-centering stainless steel face flange
- Stainless steel lever handle

SPECIFICATIONS:

Lever handle waste outlet to be Encore D10 Series in the following configuration:

- ___ D10-4150 2" NPS, 3" Sink Opening Diameter
- ___ D10-4151 1-1/2" NPS, 3" Sink Opening Diameter
- ___ D10-7400 2" NPS, 3-1/2" Sink Opening Diameter
- ___ D10-7300 1-1/2" NPS, 3-1/2" Sink Opening Diameter

Drain to have nickel plated solid all metal construction. Drain to have self-centering stainless steel face flange with snap-in stainless steel strainer. Drain to be designed for trouble free fast drainage when the stainless steel lever handle is in the open position and has a positive sealing action when closed.

