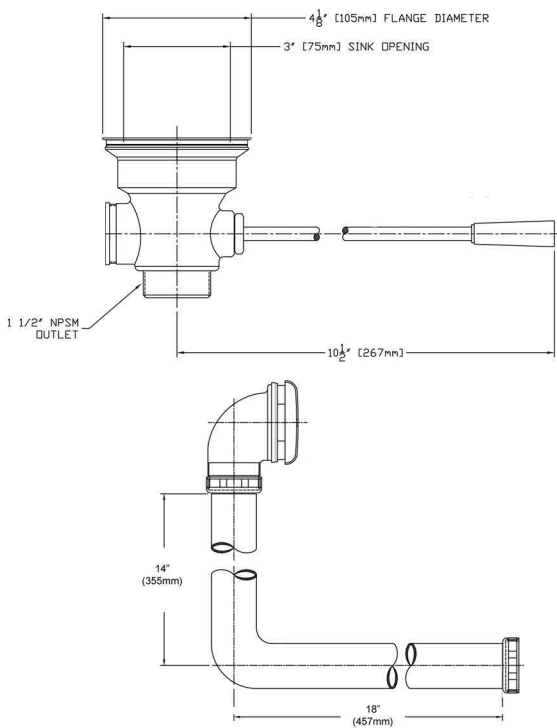


Encore[®] Lever Handle Waste Outlet with
Overflow Assembly

D10-459x Series

D10-4590 2" NPS, 3" Sink

D10-4591 1-1/2" NPS, 3" Sink



Dimensions shown in inches (mm) are for reference only
and are subject to change.

1-1/2" or 2" NPS Male waste outlet
Flow Rate: Max 20gpm

Approximate shipping weight - 6 lbs
Warranty - 2 years parts

Solid heavy duty cast body is specification and commercial quality

Commercial Quality Features

- Nickel plated cast brass drain body
- Self-centering stainless steel face flange
- Stainless steel lever handle
- Overflow head with stainless steel face plate

SPECIFICATIONS:

Lever handle waste outlet to be Encore D10 Series in the following
configuration

___ D10-4591 1-1/2" NPS, 3" Sink Opening Diameter

___ D10-4590 2" NPS, 3" Sink Opening Diameter

Drain to have nickel plated solid all metal construction. Drain to have
self-centering stainless steel face flange with snap-in stainless steel
strainer. Drain to be designed for trouble free fast drainage when the
stainless steel lever handle is in the open position and has a positive
sealing action when closed. Drain to have 1-1/4" overflow assembly
which includes 1-1/4" OD elbow tube and overflow head with stainless
steel faceplate. To be universal style for use with both 2" or 1-1/2" NPSM
outlet.

