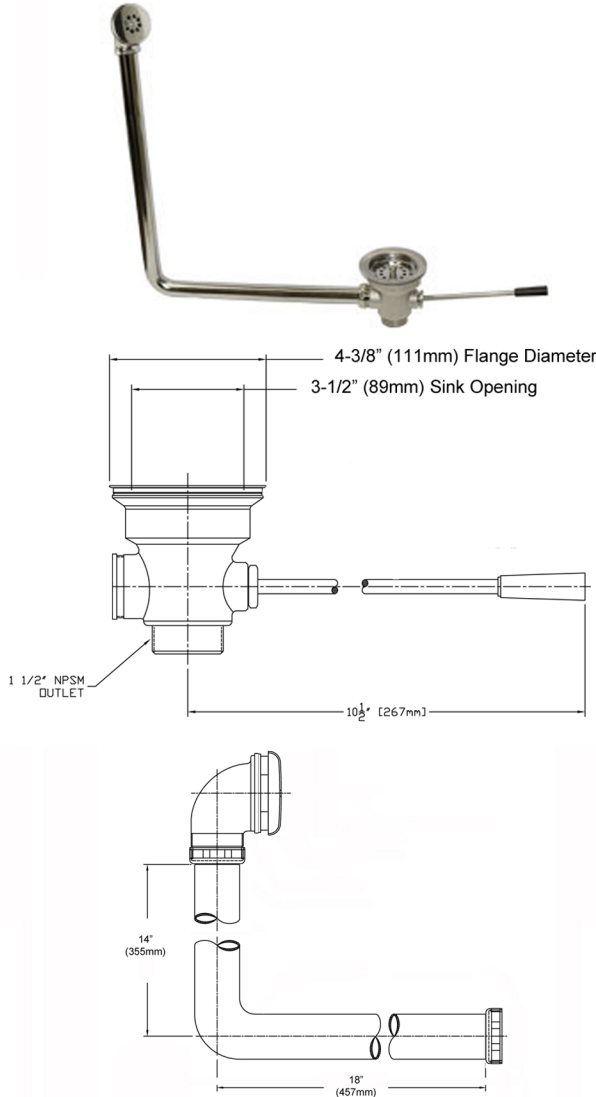


Encore® Lever Handle Waste Outlet with
Overflow Assembly and Crumb Cup Strainer
D13-7x15 Series

D13-7315 1-1/2" NPS, 3-1/2" Sink

D13-7415 2" NPS, 3-1/2" Sink



Dimensions shown in inches (mm) are for reference only
and are subject to change.

1-1/2" or 2" NPS Male waste outlet
Flow Rate: Max 20gpm

Approximate shipping weight - 4 lbs
Warranty - 2 years parts

Solid heavy duty cast body is specification and commercial quality

Commercial Quality Features

- Nickel plated cast brass drain body
- Self-centering stainless steel face flange
- Stainless steel lever handle

SPECIFICATIONS:

Lever handle waste outlet to be Encore D13 Series in the following configuration:

____ D13-7315 1-1/2" NPS, 3-1/2" Sink Opening Diameter

____ D13-7415 2" NPS, 3-1/2" Sink Opening Diameter

Drain to have nickel plated solid all metal construction. Drain to have self-centering stainless steel face flange with crumb cup strainer. Drain to be designed for trouble-free fast drainage when the stainless steel lever handle is in the open position and has a positive sealing action when closed. Drain to have 1-1/4" overflow assembly which includes 1-1/4" OD elbow tube and overflow head with stainless steel faceplate. To be universal style for use with both 2" or 1-1/2" NPSM outlet.