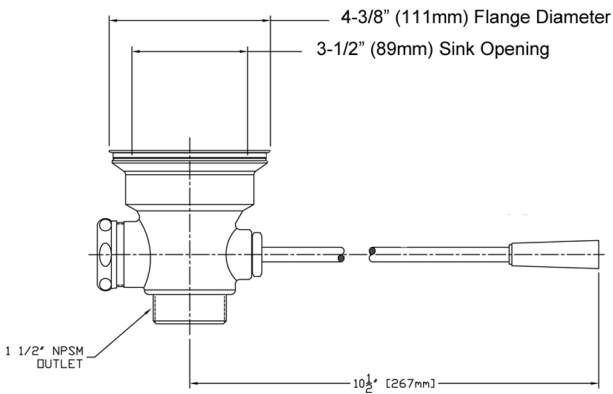


Encore<sup>®</sup> Lever Handle Waste Outlet with  
Capped Overflow and Crumb Cup Strainer

**D13-7x00 Series**

D13-7310 1-1/2" NPS, 3-1/2" Sink

D13-7410 2" NPS, 3-1/2" Sink



*Dimensions shown in inches (mm) are for reference only and are subject to change.*

1-1/2" or 2" NPS Male waste outlet  
Flow Rate: Max 20gpm

Approximate shipping weight - 4 lbs  
Warranty - 2 years parts

Solid heavy duty cast body is specification and commercial quality

**Commercial Quality Features**

- Nickel plated cast brass drain body
- Self-centering stainless steel face flange
- Stainless steel lever handle

**SPECIFICATIONS:**

Lever handle waste outlet to be Encore D13 Series in the following configuration:

\_\_\_\_ D13-7310 1-1/2" NPS, 3-1/2" Sink Opening Diameter

\_\_\_\_ D13-7410 2" NPS, 3-1/2" Sink Opening Diameter

Drain to have nickel plated solid all metal construction. Drain to be for 3-1/2" sink opening diameter. Drain to have self-centering stainless steel face flange with stainless steel crumb cup strainer. Drain to be designed for trouble free fast drainage when the stainless steel lever handle is in the open position and has a positive sealing action when closed.