

**PROJECT NAME:** \_\_\_\_\_

**LOCATION:** \_\_\_\_\_

**SPECIFIER ITEM NO.** \_\_\_\_\_ **QTY:** \_\_\_\_\_

**ENCORE PART NO.** \_\_\_\_\_

Encore<sup>®</sup> Lever Handle Box Pattern Drain  
**D23-416x Series**

D23-4160  
 D23-4161

2" NPT  
 1-1/2" NPT



Solid heavy duty drain is specification and commercial quality

**Commercial Quality Features**

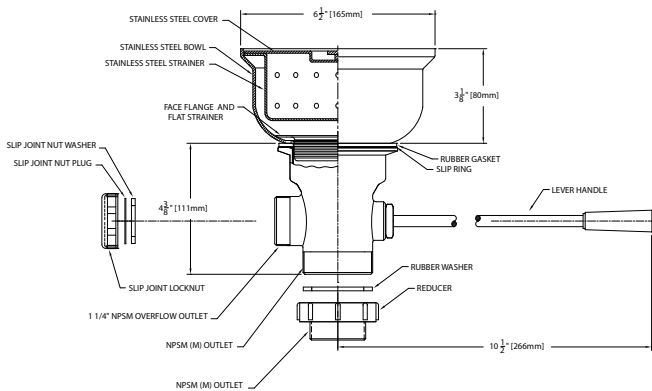
- Stainless steel basket assembly
- Multiple strainer
- Removable basket
- Easy cleanout
- Normal servicing prevents clogging; eliminates costly plumbing repairs
- Flow rate up to 15 gallons per minute

**SPECIFICATIONS:**

Lever handle box pattern drain to be Encore D23 Series in the following configuration:

- \_\_\_\_\_ D23-4160      2" NPT
- \_\_\_\_\_ D23-4161      1-1/2" NPT with reducer (to 1-1/2" NPT)

Drain to be nickel plated cast brass construction with threaded waste outlet and reducer. Heavy duty basket assembly fits a 6-1/2" sink opening. Basket assembly comes complete with a stainless steel bowl, strainer basket and cover, secured to the top of the drain by a self-centering stainless steel face flange with snap-in stainless steel strainer. Drain is designed for trouble-free fast drainage when the stainless steel lever handle is in the open position. Positive sealing action when handle is closed. Drain to include 1-1/4" overflow port for overflow assembly when required (not included).



*Dimensions shown in inches (mm) are for reference only and are subject to change.*

Approximate shipping weight - 7 lbs