

**PROJECT NAME:** \_\_\_\_\_

**LOCATION:** \_\_\_\_\_

**SPECIFIER ITEM NO.** \_\_\_\_\_ **QTY:** \_\_\_\_\_

**ENCORE PART NO.** \_\_\_\_\_

Encore<sup>®</sup> Box Pattern Drain Basket Assembly  
**D34-Y011-xx Series**

D34-Y011 Without Hub Connection  
 D34-Y011-MM With Welded Connection

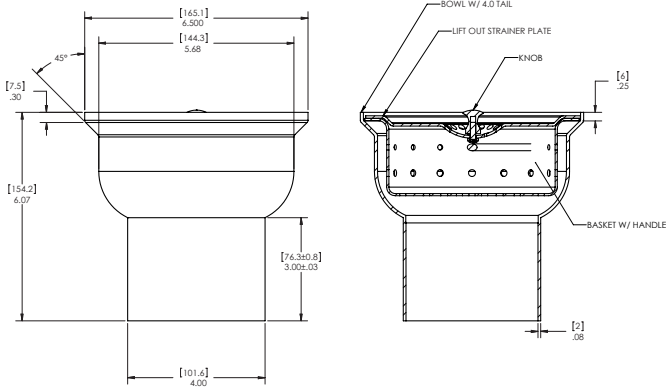


Model D34-Y011-MM shown

Solid heavy duty basket assembly is specification and commercial quality

**Commercial Quality Features**

- Stainless steel basket assembly
- Multiple strainer
- Removable basket
- Easy cleanout
- Normal servicing prevents clogging; eliminates costly plumbing repairs



*Dimensions shown in inches (mm) are for reference only and are subject to change.*

Approximate shipping weight - 3 lbs