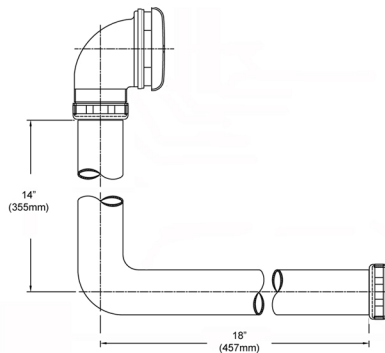
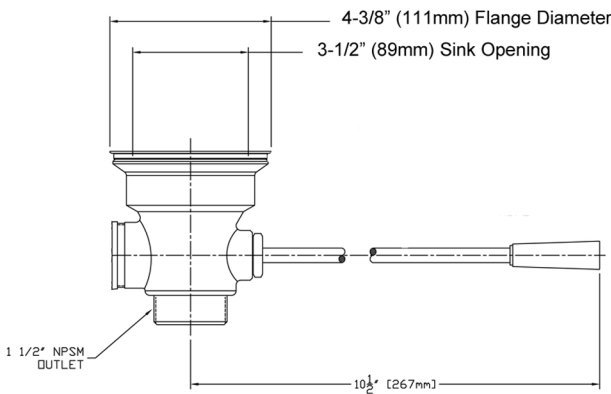


PROJECT NAME: _____
LOCATION: _____
SPECIFIER ITEM NO. _____ **QTY:** _____
ENCORE PART NO. _____

Encore® Twist Handle Waste Outlet with Overflow Assembly

D50-xxxx Series

| | |
|----------|-------------------------|
| D50-4591 | 1-1/2" NPS, 3" Sink |
| D50-4590 | 2" NPS, 3" Sink |
| D50-7115 | 1-1/2" NPS, 3-1/2" Sink |
| D50-7215 | 2" NPS, 3-1/2" Sink |



Dimensions shown in inches (mm) are for reference only and are subject to change.

1-1/2" NPT (male) or 2" NPSM (female) waste outlet
 Flow Rate: Max 20gpm
 Approximate shipping weight - 6 lbs
 Warranty - 2 years parts

Solid heavy duty cast body is specification and commercial quality

Commercial Quality Features

- Nickel plated cast brass drain body
- Self-centering stainless steel face flange
- Stainless steel twist handle
- Overflow head with stainless steel face plate

SPECIFICATIONS:

Twist handle waste outlet to be Encore D50 Series in the following configuration:

| | |
|----------------|--|
| _____ D50-4591 | 1-1/2" NPS, 3" Sink Opening Diameter |
| _____ D50-4590 | 2" NPS, 3" Sink Opening Diameter |
| _____ D50-7115 | 1-1/2" NPS, 3-1/2" Sink Opening Diameter |
| _____ D50-7215 | 2" NPS, 3-1/2" Sink Opening Diameter |

Drain to have nickel plated solid all metal construction. Drain to have self-centering stainless steel face flange with snap-in stainless steel strainer. Drain to be designed for trouble free fast drainage when the stainless steel lever handle is in the open position and has a positive sealing action when closed. Drain to have 1-1/4" overflow assembly which includes 1-1/4" OD elbow tube and overflow head with stainless steel faceplate. 2" NPSM (male) or 1-1/2" NPT (female) outlet. Waste outlet to be furnished with either 2" NPSM (male) or 1-1/2" NT (female) thread.

