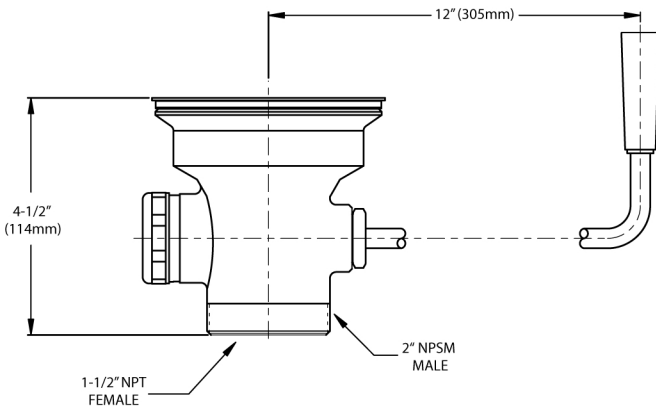


Encore® Twist Handle Waste Outlet with Capped Overflow Outlet

D50-xxxx-xx Series

D50-7200-RM
D50-7200-HN



Dimensions shown in inches (mm) are for reference only and are subject to change.

2" NPSM (male) or 1-1/2" NPT (female) waste outlet
Flow Rate: Max 15gpm

Approximate shipping weight - 4 lbs
Warranty - 2 years parts

Solid heavy duty cast body is specification and commercial quality

Commercial Quality Features

- Nickel plated cast brass drain body
- Self-centering stainless steel face flange
- Stainless steel twist handle
- Capped overflow outlet port

SPECIFICATIONS:

Lever handle waste outlet to be Encore D50 Series in the following configuration:

- _____ D50-7200-RM 3-1/2" Sink Opening, 1-1/2" NPT, Male Reducer (brass)
- _____ D50-7200-HN 3-1/2" Sink Opening, Hex Nipple (brass)

Drain to have nickel plated solid all metal construction. Drain to have self-centering stainless steel face flange with snap-in flat stainless steel strainer. Drain to be designed for trouble free fast drainage when the stainless steel lever handle is in the open position and has a positive sealing action when closed. Drain to have 1-1/4" capped overflow outlet to accept a 1-1/4" OD overflow elbow tube.

