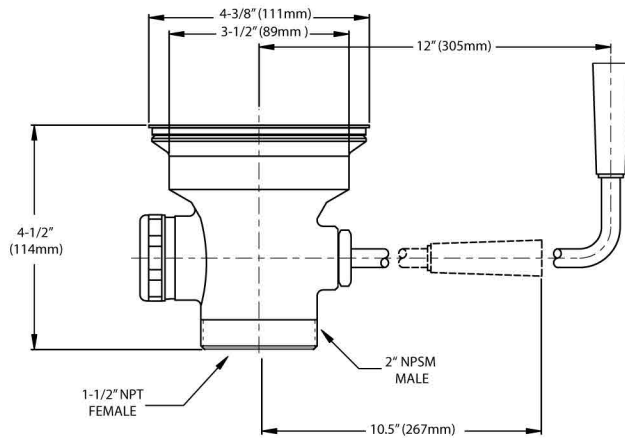


Encore® Twist Handle Waste Outlet with Overflow Outlet

D50-xxxx Series

D50-4150	2" NPS, 3" Sink
D50-4151	1-1/2" NPS, 3" Sink
D50-7200	2" NPS, 3-1/2" Sink
D50-7100	1-1/2" NPS, 3-1/2" Sink



Dimensions shown in inches (mm) are for reference only and are subject to change.

2" and 1-1/2" NPS Male waste outlet
 Flow Rate: Max 15gpm

Approximate shipping weight - 4 lbs
 Warranty - 2 years parts

Solid heavy duty cast body is specification and commercial quality

Commercial Quality Features

- Nickel plated cast brass drain body
- Self-centering stainless steel face flange
- Stainless steel twist handle
- Overflow outlet port

SPECIFICATIONS:

Lever handle waste outlet to be Encore D50 Series in the following configuration:

_____	D50-4150	2" NPS, 3" Sink Opening Diameter
_____	D50-4151	1-1/2" NPS, 3" Sink Opening Diameter
_____	D50-7200	2" NPS, 3-1/2" Sink Opening Diameter
_____	D50-7100	1-1/2" NPS, 3-1/2" Sink Opening Diameter

Drain to have nickel plated solid all metal construction. Drain to have self-centering stainless steel face flange with snap-in flat stainless steel strainer. Drain to be designed for trouble free fast drainage when the stainless steel lever handle is in the open position and has a positive sealing action when closed. Drain to have 1-1/4" overflow outlet to accept 1-1/4" OD overflow elbow tube.

