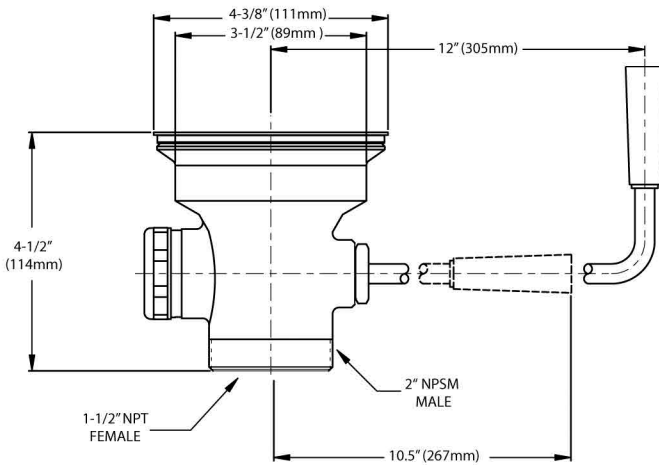


Encore[®] Twist Handle Waste Outlet with Capped Overflow Outlet and Crumb Cup Strainer

D53-7xxx Series

- D53-7110 1-1/2" NPS, 3-1/2" Sink
- D53-7210 2" NPS, 3-1/2" Sink



Dimensions shown in inches (mm) are for reference only and are subject to change.

2" NPSM (male) or 1-1/2" NPT (female) waste outlet
Flow Rate: Max 15gpm

Approximate shipping weight - 4 lbs
Warranty - 2 years parts

Solid heavy duty cast body is specification and commercial quality

Commercial Quality Features

- Nickel plated cast brass drain body
- Self-centering stainless steel face flange
- Stainless steel twist handle
- Capped overflow outlet port

SPECIFICATIONS:

Twist handle waste outlet to be Encore D53 Series in the following configuration:

- _____ D53-7110 1-1/2" NPS, 3-1/2" Sink Opening Diameter
- _____ D53-7210 2" NPS, 3-1/2" Sink Opening Diameter

Drain to have nickel plated solid all metal construction. Drain to be for 3-1/2" sink opening diameter. Drain to have self-centering stainless steel face flange with stainless steel crumb cup strainer. Drain to be designed for trouble free fast drainage when the stainless steel twist handle is in the open position and has a positive sealing action when closed.

