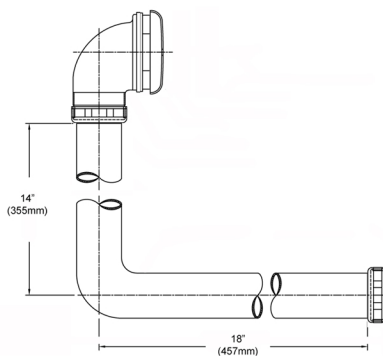
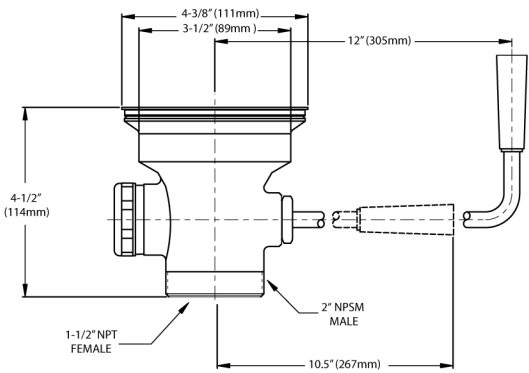


Encore[®] Twist Handle Waste Outlet with
Overflow Assembly and Crumb Cup Strainer
D53-7x15 Series

D53-7115 1-1/2" NPS, 3-1/2" Sink
D53-7215 2" NPS, 3-1/2" Sink



Dimensions shown in inches (mm) are for reference only and are subject to change.

1-1/2" or 2" NPS Male waste outlet
Flow Rate: Max 20gpm

Approximate shipping weight - 6 lbs
Warranty - 2 years parts

Solid heavy duty cast body is specification and commercial quality

Commercial Quality Features

- Nickel plated cast brass drain body
- Self-centering stainless steel face flange
- Stainless steel twist handle
- Overflow head with stainless steel face plate

SPECIFICATIONS:

Lever handle waste outlet to be Encore D53 Series
in the following configuration:

- _____ D53-7115 1-1/2" NPS, 3-1/2" Sink Opening Diameter
- _____ D53-7215 2" NPS, 3-1/2" Sink Opening Diameter

Drain to have nickel plated solid all metal construction. Drains to be for 3-1/2" sink opening diameter. Drain to have self-centering stainless steel face flange with stainless steel crumb cup strainer. Drain to be designed for trouble free fast drainage when the stainless steel lever handle is in the open position and has a positive sealing action when closed. Drain to have 1-1/4" overflow assembly which includes 1-1/4" OD elbow tube and overflow head with stainless steel faceplate. To be universal style for use with both 2" or 1-1/2" NPSM outlet.