

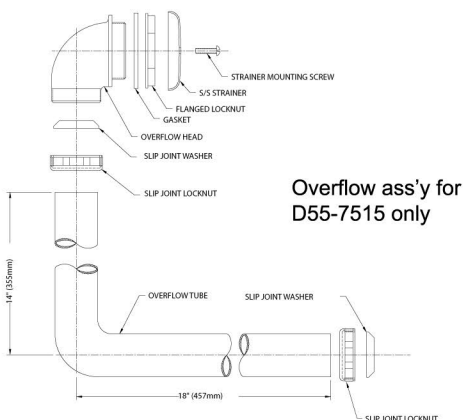
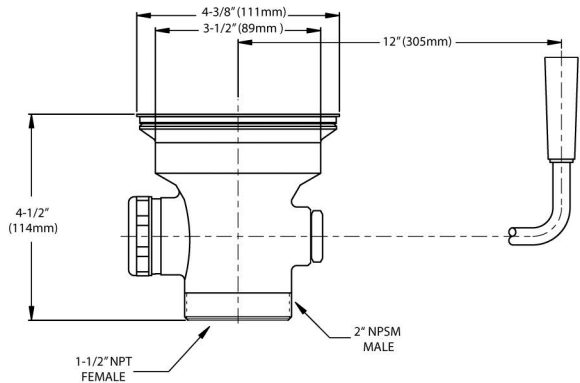
TOP-LINE®

1890 Swarthmore Avenue, PO Box 2020, Lakewood, NJ 08701
 Phone: 800-526-3694, 732-363-4700, Fax: 732-364-8110
 www.encoreplumbing.com • www.componenthardware.com

PROJECT NAME: _____
LOCATION: _____
SPECIFIER ITEM NO. _____ **QTY:** _____
TOP-LINE PART NO. _____

TOP-LINE® Twist Handle Waste Outlet D55-751x-x

- D55-7510 2" NPS, Capped Overflow
- D55-7510-R 1-1/2" NPT, Male Reducer (plastic)
- D55-7510-RM 1-1/2" NPT, Male Reducer (brass)
- D55-7510-HN 1-1/2" NPT, Hex Nipple (brass)
- D55-7515 2" NPS, Overflow Assembly



Dimensions shown in inches (mm) are for reference only and are subject to change.

2" NPS Male waste outlet
 Flow Rate: Max 20gpm

Approximate shipping weight - 4 lbs
 Warranty - 2 years parts

Solid heavy duty cast body is specification and commercial quality

Commercial Quality Features

- Nickel plated zinc drain body
- Self-centering stainless steel face flange
- Stainless steel twist handle

SPECIFICATIONS:

Twist handle waste outlet to be TOP-LINE D55 Series in the following configuration:

- _____ D55-7510 2" NPS, Capped Overflow
- _____ D55-7510-R 1-1/2" NPT, Male Reducer (plastic)
- _____ D55-7510-RM 1-1/2" NPT, Male Reducer (brass)
- _____ D55-7510-HN 1-1/2" NPT, Hex Nipple (brass)
- _____ D55-7515 2" NPS, Overflow Assembly

Drain to have nickel plated solid all metal construction. Drain to be for 3-1/2" sink opening diameter. Drain to have self-centering stainless steel face flange with snap in stainless steel flat strainer. Drain to be designed for trouble free fast drainage when the stainless steel twist handle is in the open position and has a positive sealing action when closed.



1-1/2" Male Reducer
 Brass



1-1/2" Hex Nipple
 Brass



1-1/2" Male Reducer
 Plastic