

PROJECT NAME: _____

LOCATION: _____

SPECIFIER ITEM NO. _____ **QTY:** _____

ENCORE PART NO. _____

Encore[®] Twist Handle Box Pattern Drain with Overflow Assembly

D63-459x Series

D63-4590 2" (51mm) NPS
 D63-4591 1-1/2" (38mm) NPS



Solid heavy duty cast body is specification and commercial quality

Commercial Quality Features

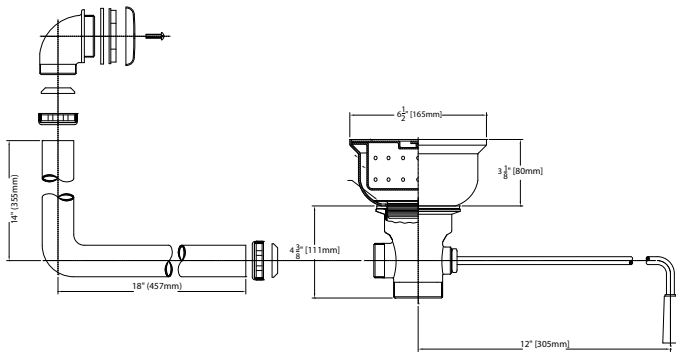
- Nickel plated cast brass drain body
- Self-centering stainless steel face flange
- Stainless steel twist handle
- Overflow head with stainless steel face plate

SPECIFICATIONS:

Twist handle box pattern drain with overflow assembly to be Encore D63-459x Series in the following configuration:

___ D63-4590 2" (51mm) NPS
 ___ D63-4591 1-1/2" (38mm) NPS

Drain to have nickel plated solid all metal construction. Drain has a heavy duty basket assembly sized to fit a 6-1/2" sink opening. The basket assembly comes complete with a stainless steel bowl, strainer basket and strainer cover. The basket assembly is secured to the top of the drain by a self-centering stainless steel face flange with an additional snap-in stainless steel strainer. Drain is designed for trouble-free fast drainage when the stainless steel twist handle is in the open position and has a positive sealing action when closed. Drain comes with a 1-1/4" overflow outlet port for overflow assembly.



Dimensions shown in inches (mm) are for reference only and are subject to change.

1-1/2" or 2" NPS waste outlet
 Flow Rate: Max 20gpm

Approximate shipping weight - 6 lbs
 Warranty - 2 years parts