

ITEM NO: \_\_\_\_\_

**MODEL:**  
DPL-8000

**PRODUCT NAME:**  
SINK MATE ABS Rotary Drain



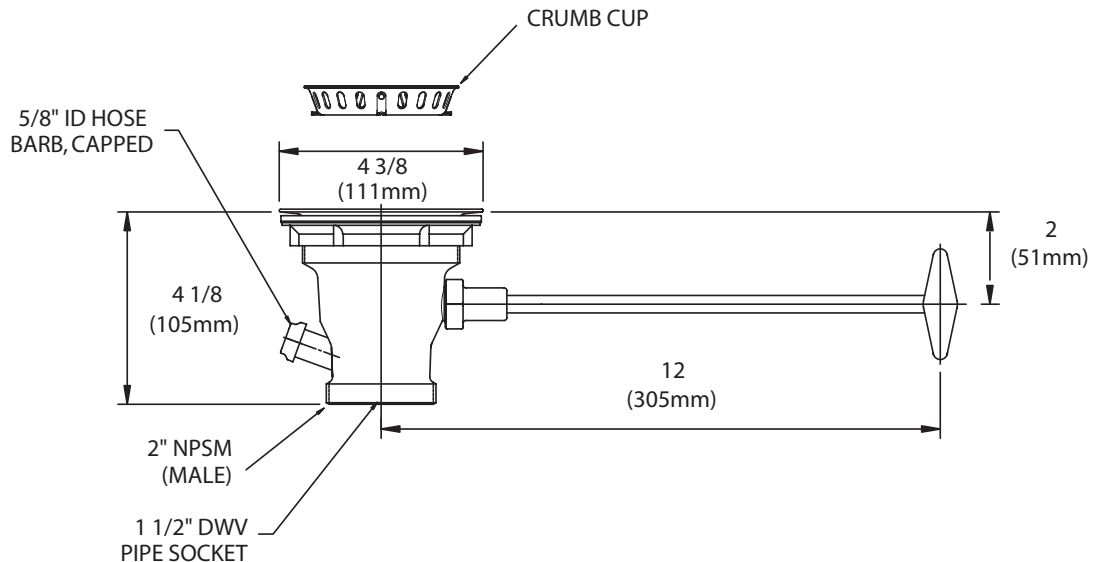
**OPTIONS:**  
 DPL-8000-6 6" handle

**TECHNICAL/PERFORMANCE SPECIFICATIONS:**

Commercial Drain  
Installs from Sink Top  
Fits Standard 3 1/2" Sink Opening  
Dual 2" NPSM Male and 1 1/2" Pipe Socket Waste Outlet  
Acetal and EPDM Gaskets and Seals  
Flow Rate: Max 30gpm

**ENGINEERING SPECIFICATION:**

Commercial 3 1/2" Rotary Drain - Patented  
ABS Drain with Stainless Steel Clad Flange  
Universal 2" and 1 1/2" Waste Outlet  
Acetal and EPDM Gaskets and Seals  
12" Handle  
Chrome Plated Beehive Crumb Cup - Patented  
Accepts 5/8" Overflow  
Clear opening for line clearing



**COMPLIES WITH:**

ANSI A112.18.1M  
CSA B125  
NSF 2

