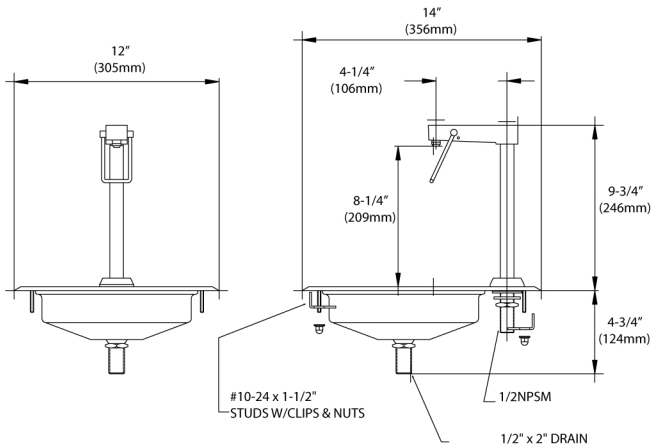


Encore® Water Station Complete with Glass Filler
K27-1000



Dimensions shown in inches (mm) are for reference only and are subject to change.

1/2" NPSM Male Inlet
Operating Temp: 40-180°F
Operating Pressure: 20-125psi
1/2" IPS Nickel Plated Brass Drain

Approximate shipping weight - 7 lbs
Warranty - 2 years parts

Water station

Commercial Quality Features

- Polished chrome plated brass glass filler
- Type 304 stainless steel riser
- Stainless steel valve and lever
- Two position lever arm pushes back for easy filling or upward for continuous flow
- Fully adjustable spout for regulated water flow control
- Type 304 stainless steel sink construction
- Heavy duty stainless steel wire grid

SPECIFICATIONS:

Water station with glass filler to be Encore K27-1000. Glass filler to be constructed of polished chrome plated brass. Riser to be Type 304 stainless steel. Valve and lever to be stainless steel. Lever arm to have two positions. Fully adjustable spout for regulated water flow control. Mounting hardware to be included. Sink to be constructed of Type 304 stainless steel. Sink to be self-rimming drop-in design. Wire grid to be heavy duty stainless steel construction.

