

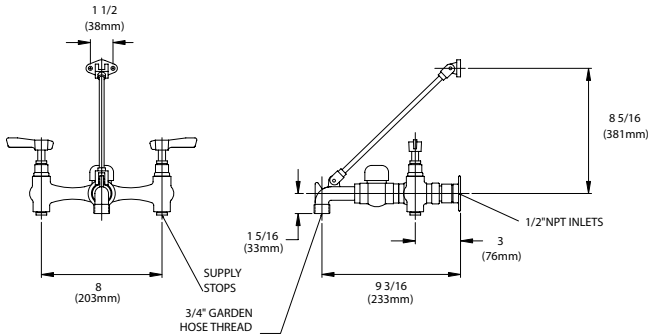
PROJECT NAME: \_\_\_\_\_

LOCATION: \_\_\_\_\_

SPECIFIER ITEM NO. \_\_\_\_\_ QTY: \_\_\_\_\_

ENCORE PART NO. \_\_\_\_\_

## Encore<sup>®</sup> Wall Mount Service Sink Faucet K78-8106-BR1



Dimensions shown in inches (mm) are for reference only and are subject to change.

1-1/8" (29mm) holes for backsplash are recommended to accommodate 1/2" supply nipples.  
1/2" NPSM Female Inlets

Note:  
9-3/16" (233mm) clearance from wall to center of faucet  
3" (76mm) clearance from wall to center of outlet

Approximate shipping weight - 8 lbs  
Warranty - 2 years parts

Solid heavy duty cast body is specification and commercial quality

### Commercial Quality Features

- Rough chrome finish
- Garden hose thread and pail hook
- Top support wall bracket
- Vacuum breaker spout

### SPECIFICATIONS:

Wall Mount Service Sink Faucet to be Encore K78-8106-BR. Faucet body to be constructed of rough chrome plated brass with lever handles. Supply inlets to be 8" (203mm) on center. Supply stops and in-line check valves to be built in. Color coded temperature indexes shall meet international standards. Vacuum breaker spout to have 3/4" garden hose thread and be equipped with integral pail hook. Top support wall bracket included as standard.