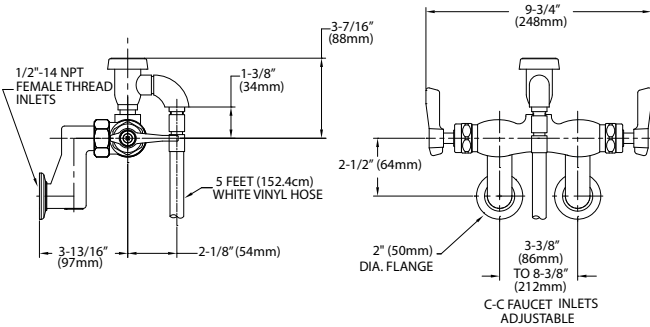


Encore[®] Wall Mount Service Sink Faucet
KC89-1162-VZ1



Dimensions shown in inches (mm) are for reference only and are subject to change.

1/2" NPSM Female Inlets
 Inlets adjustable from 4" (102mm) to 8" (203mm)
 Operating Temperature: 40-180°F (5-83°C)
 Operating Pressure: 15-125psi
 Note: 1-1/8" (29mm) holes for backsplash are recommended to accommodate 1/2" supply nipples

Approximate shipping weight - 5 lbs
 Warranty - 2 years parts

Solid heavy duty cast body is specification and commercial quality

Commercial Quality Features

- Polished chrome plated cast brass body
- ADA-compliant lever handles
- Built-in check valves to prevent cross-flow and back-flow
- 2" (52mm) tubular spout with 62" vinyl hose

SANIGUARD[®] Product Protection

- Permanently incorporated on all touch points of Encore plumbing fixtures
- Inorganic, silver ion technology inhibits growth of common bacteria, yeasts, mold and fungi, minimizes cross-contamination

SPECIFICATIONS:

Wall Mount Service Sink Faucet to be Encore KC89-1162-VZ1. Faucet body to be constructed of polished chrome plated brass with lever handles. Handles to be incorporated with SANIGUARD treatment. Supply inlets to be 4" (102mm) on center, adjustable to 8" (203mm). Valves to be 1/4-turn ceramic with integral check valve to prevent cross-flow and back-flow. Spout to be 2" (52mm) long with attached 60" white vinyl hose. Atmospheric vacuum breaker and 2-1/2" offset supply standard. Color coded indexes shall meet international standards.

