

PROJECT NAME: _____

LOCATION: _____

SPECIFIER ITEM NO. _____ **QTY:** _____

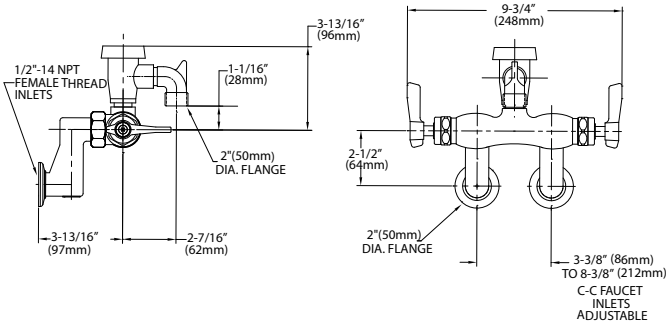
ENCORE PART NO. _____

Encore[®] Wall Mount Service Sink Faucet

KC89-3x32-VY1 Series

KC89-3032-VY1 2" Spout, Compression Valves

KC89-3132-VY1 2" Spout, Ceramic Valves



Dimensions shown in inches (mm) are for reference only and are subject to change.

1/2" NPSM Female Inlets

Inlets adjustable from 4" (102mm) to 8" (203mm)

Operating Temperature: 40-180°F (5-83°C)

Operating Pressure: 15-125psi

Note: 1-1/8" (29mm) holes for backsplash are recommended to accommodate 1/2" supply nipples

Approximate shipping weight - 5 lbs
 Warranty - 2 years parts

Solid heavy duty cast body is specification and commercial quality

Commercial Quality Features

- Polished chrome plated cast brass body
- Threaded spout design with integral pail hook
- ADA-compliant lever handles
- Built-in check valves to prevent cross-flow and back-flow

SANIGUARD[®] Product Protection

- Permanently incorporated on all touch points of Encore plumbing fixtures
- Inorganic, silver ion technology inhibits growth of common bacteria, yeasts, mold and fungi, minimizes cross-contamination

SPECIFICATIONS:

Wall Mount Service Sink Faucet to be Encore KC89-3x32-VY1 Series in the following configuration:

_____ KC89-3032-VY1 2" Spout, Compression Valves

_____ KC89-3132-VY1 2" Spout, Ceramic Valves

Faucet body to be constructed of polished chrome plated brass with lever handles. Handles to be incorporated with SANIGUARD treatment. Supply inlets to be 4" (102mm) on center, adjustable to 8" (203mm). Valves to be 1/4-turn with integral check valve to prevent cross-flow and back-flow. Spout to be 2" (52mm) long with 3/4" hose outlet and integral pail hook. Atmospheric vacuum breaker and 2-1/2" offset supply couplings standard. Color coded indexes shall meet international standards.

