

Encore® Enclosed Hose Reel Assembly
KHR-1030-E(xx)

KHR-1030-E Gray Powder Coated (*shown*)
KHR-1030-ESS Stainless Steel



3/8"-18 NPT Inlets
Hose Operating Temperature: 210°F (99°C)
Hose Operating Pressure: 250psi (18 BAR)

Approximate shipping weight - 48 lbs.
Warranty - 4 years parts

Hose reel is specification and commercial quality.

Commercial Quality Features

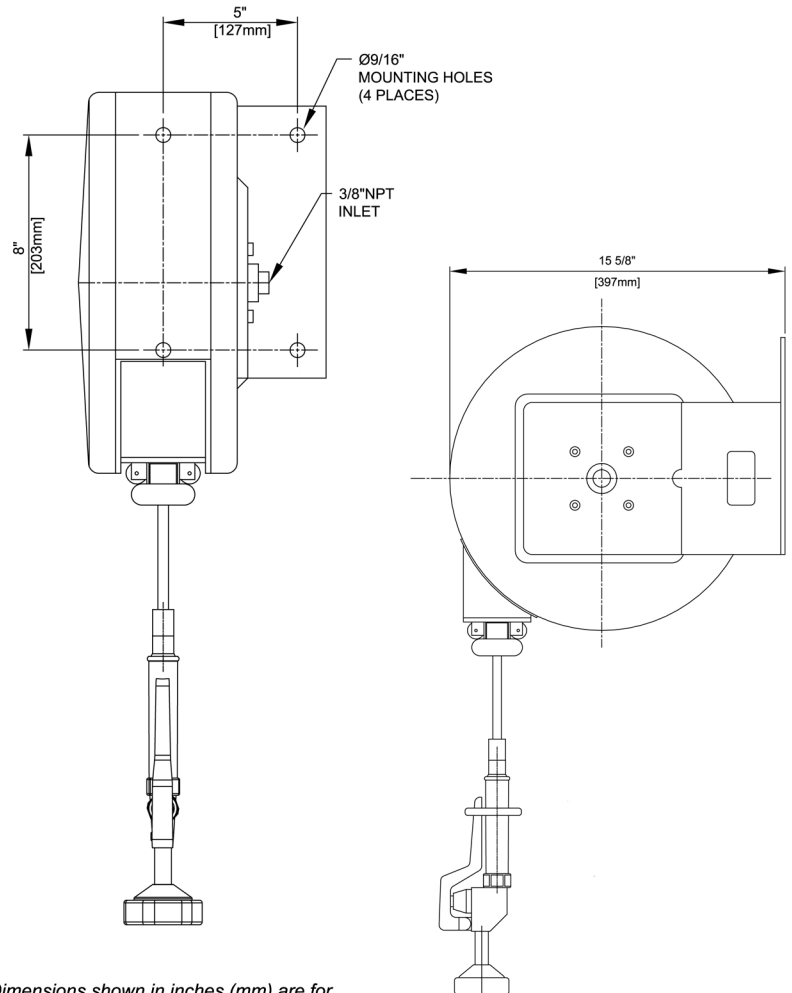
- Universal ceiling, floor or wall mount
- Heavy duty springs for hose recoil
- Positive latch for stationary hose operation
- Pre-rinse with insulated handle and heavy duty face bumper

SPECIFICATIONS:

Enclosed hose reel assembly to be Encore KHR-1030-E Series in the following configuration:

____ KHR-1030-E Gray Powder Coated
____ KHR-1030-ESS Stainless Steel

Hose to be 30' (9.1m) in length with stainless steel hose guard. Recoil bumper to be included. 3.3gpm spray face at 60psi standard. Latching mechanism to hold hose at desired length while operating; retracts automatically.



Dimensions shown in inches (mm) are for reference only and are subject to change.