

PROJECT NAME: _____
LOCATION: _____
SPECIFIER ITEM NO. _____ **QTY:** _____
ENCORE PART NO. _____

Encore® Open Hose Reel Assembly
KHR-1050-O(xx) Series

KHR-1050-O Gray Powder Coated
KHR-1050-OSS Stainless Steel (*shown*)



3/8"-18 NPT Inlets
Hose Operating Temperature: 210°F (99°C)
Hose Operating Pressure: 250psi (18 BAR)

Approximate shipping weight - 47 lbs
Warranty - 4 years parts

Hose reel is specification and commercial quality.

Commercial Quality Features

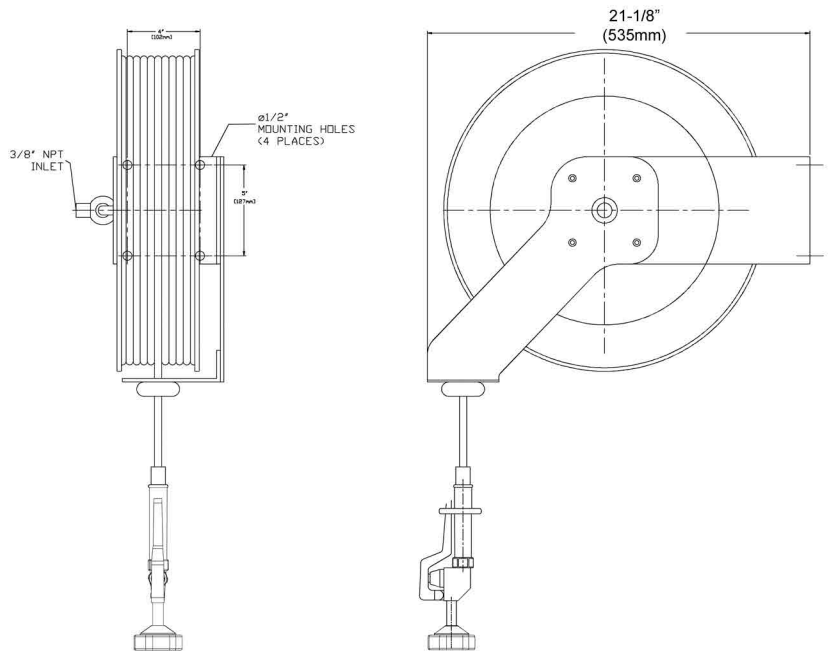
- Universal ceiling, floor or wall mount
- Heavy duty springs for hose recoil
- Positive latch for stationary hose operation
- Pre-rinse with insulated handle and heavy duty face bumper

SPECIFICATIONS:

Open hose reel assembly to be Encore KHR-1050-O Series in the following configuration:

- _____ KHR-1050-O Gray Powder Coated
_____ KHR-1050-OSS Stainless Steel

Hose to be 50' in length with stainless steel hose guard. Recoil bumper to be included. 3.3gpm spray face at 60psi standard. Latching mechanism to hold hose at desired length while operating; retracts automatically.



Dimensions shown in inches (mm) are for reference only and are subject to change.