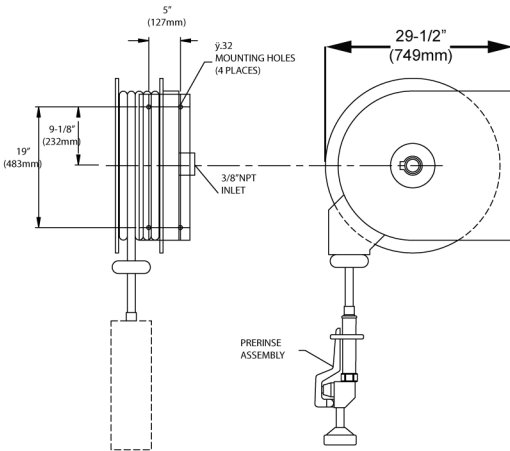


Encore® Enclosed 50' Hose Reel Assembly

KHR-5650-E (xx) Series

KHR-5650-E Gray Powder Coated (shown)

KHR-5650-ESS Stainless Steel



Dimensions shown in inches (mm) are for reference only and are subject to change.

3/8"-18 NPT Inlets

Hose Operating Temperature: 210°F (99°C)

Hose Operating Pressure: 250psi (18 BAR)

Approximate shipping weight - 55 lbs

Warranty - 4 years parts

Hose reel is specification and commercial quality.

Commercial Quality Features

- Universal ceiling, floor or wall mount
- Heavy duty springs for hose recoil
- Positive latch for stationary hose operation
- Pre-rinse with insulated handle and heavy duty face bumper

SANIGUARD® Product Protection

- Permanently incorporated on all touch points of Encore plumbing fixtures
- Inorganic, silver ion technology inhibits growth of common bacteria, yeasts, mold and fungi, minimizes cross-contamination

SPECIFICATIONS:

Enclosed hose reel assembly to be Encore KHR-5650-E Series in the following configuration:

_____ KHR-5650-E Gray Powder Coated

_____ KHR-5650-ESS Stainless Steel

Handle and grip to be incorporated with SANIGUARD product protection.

Hose to be 50' (15m) styrene butadiene rubber (SBR) with stainless steel hose guard. Recoil bumper to be included.

