

PROJECT NAME: _____

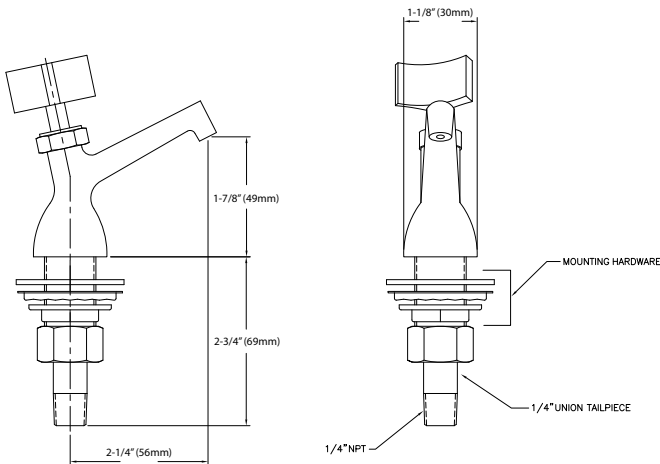
LOCATION: _____

SPECIFIER ITEM NO. _____ **QTY:** _____

ENCORE PART NO. _____

Encore[®] Dipperwell Faucet
KL22-3100 Series

KL22-3100 No Flow Restrictor
 KL22-3100-SB With Flow Restrictor



Dimensions shown in inches (mm) are for reference only and are subject to change.

1-1/8" (29mm) hole for deck is recommended to accommodate 1/2" supply nipple.
 1/2" NPSM Male Inlet
 Operating Temp: 40 - 180°F (5 - 83°C)
 Operating Pressure: 20 - 125psi

Approximate shipping weight - 1 lb
 Warranty - 2 years parts

Heavy duty faucet is specification and commercial quality

Environmentally friendly, water efficient

- Low lead brass body and valve components
- Available with flow restrictor for greater water and energy savings

SPECIFICATIONS:

Deck Mount Dipperwell Faucet to be Encore KL22-3100 Series in the following configuration:

_____ KL22-3100	1.33gpm @ 45psi
_____ KL22-3100-SB	.4gpm @ 45psi

Faucet body to be constructed of polished chrome plated brass with a total lead content less than 0.25% by weighted average. Handles to be solid unbreakable chrome plated hardware. Faucet to be furnished with 1/4" union tailpiece and mounting hardware.