

PROJECT NAME: _____

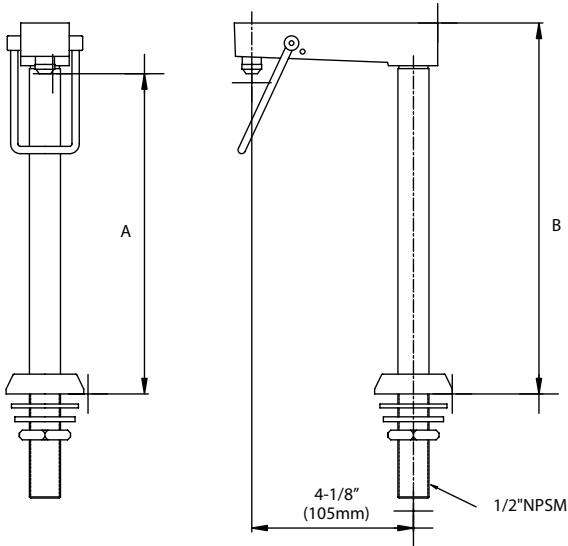
LOCATION: _____

SPECIFIER ITEM NO. _____ **QTY:** _____

ENCORE PART NO. _____

Encore[®] Deck Mounted Glass Filler
KL26-50xx Series

- | | |
|--------------|----------------------|
| KL26-5000 | 8" riser, 1/2" NPSM |
| KL26-5012 | 12" riser, 1/2" NPSM |
| KL26-5012-SP | 12" riser, 3/8" NPSM |
| KL26-5015-SP | 15" riser, 3/8" NPSM |



Dimensions shown in inches (mm) are for reference only and are subject to change.

1/2" NPSM Male Inlet – KL26-5000 / KL26-5012
 3/8" NPSM Male Inlet – KL26-5012-SP / KL26-5015-SP
 Operating Temp: 40 - 180°F (5 - 83°C)
 Operating Pressure: 20 - 125psi

Approximate shipping weight - 3 lbs
 Warranty - 2 years parts

Deck mounted glass filler

Commercial Quality Features

- Polished chrome plated brass
- Type 304 stainless steel riser
- Stainless steel valve and lever
- Two position lever arm pushes back for easy filling or upward for continuous flow
- Fully adjustable spout for regulated water flow control

SPECIFICATIONS:

Glass filler to be Encore KL26-5000 Series in the following configuration:

- | | | |
|-------|--------------|----------------------|
| _____ | KL26-5000 | 8" riser, 1/2" NPSM |
| _____ | KL26-5012 | 12" riser, 1/2" NPSM |
| _____ | KL26-5012-SP | 12" riser, 3/8" NPSM |
| _____ | KL26-5015-SP | 15" riser, 3/8" NPSM |

Glass filler to be constructed of polished chrome plated brass with total lead content less than 0.25% by weighted average. Riser to be Type 304 stainless steel. Valve and lever to be stainless steel. Lever arm to have two positions. Fully adjustable spout for regulated water flow control. Mounting hardware to be included.

Model No.	A	B
KL26-5000	8-1/4" (210mm)	9-1/2" (241mm)
KL26-5012	12" (305mm)	13-1/4" (337mm)
KL26-5012-SP	12" (305mm)	13-1/4" (337mm)
KL26-5015-SP	15" (381mm)	16-1/4" (413mm)

COMPLIES WITH:
 ASME A112.18.1-2005
 CSA B125.1-05
 NSF/ANSI 61/9, ANNEX G
 SECTION 116875 OF THE
 CALIFORNIA HEALTH & SAFETY CODE
 (COMMONLY KNOWN AS AB1953)
 VERMONT ACT 193
 UNIFORM PLUMBING CODE

