

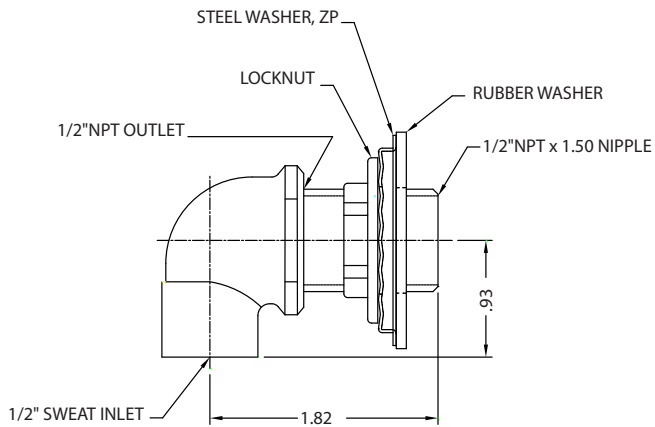
PROJECT NAME: \_\_\_\_\_

LOCATION: \_\_\_\_\_

SPECIFIER ITEM NO. \_\_\_\_\_ QTY: \_\_\_\_\_

ENCORE PART NO. \_\_\_\_\_

## Encore<sup>®</sup> Wall Faucet Mounting Kit KL40-1000



*Dimensions shown in inches (mm) are for reference only and are subject to change.*

Approximate shipping weight - 10 oz

Simplifies installation of wall faucets.

### SPECIFICATIONS:

Kit contains (2) each of 1/2" NPS nipples, 1/2" NPT x 1/2" sweat ells, washers and locknuts.

**COMPLIES WITH:**  
ASME A112.18.1-2005  
NSF/ANSI 61/9, ANNEX G  
SECTION 116875 OF THE  
CALIFORNIA HEALTH & SAFETY CODE  
(COMMONLY KNOWN AS AB1953)  
VERMONT ACT 193

