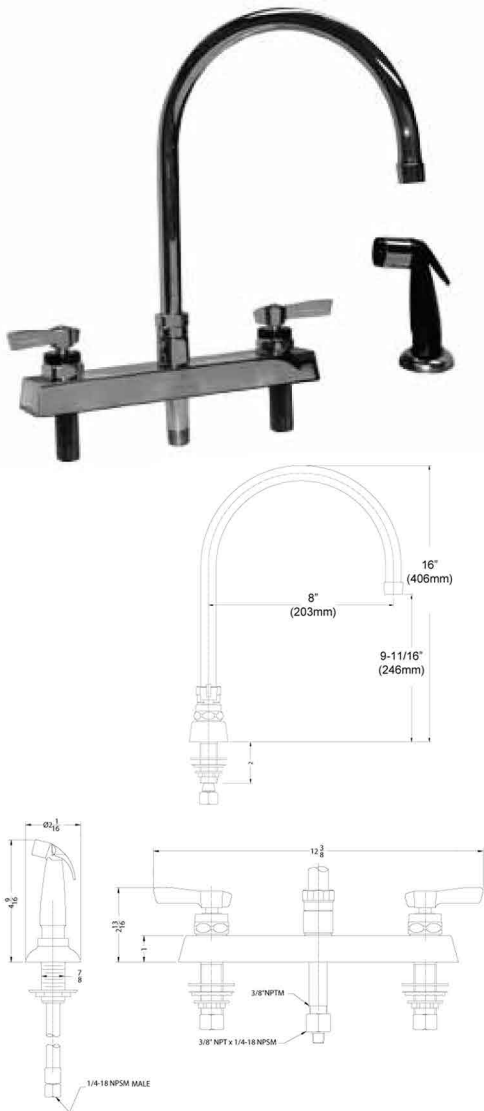


Encore® 8" (203mm) Deck Mount Faucet with 8" Swivel Gooseneck Spout, Side Sprayer and Lever Handles

KL41-8201



1/2" NPS Male Inlet w/ 1/2" tube compression seals & nuts
Operating Temperature: 40 - 180°F
Operating Pressure: 15 - 125psi

Approximate shipping weight - 8 lbs
Warranty - 2 years parts

Solid heavy duty cast body is specification and commercial quality.

Commercial Quality Features

- 8" Swivel gooseneck spout design
- ADA-compliant lever handles
- Built-in check valves to prevent cross-flow and back-flow
- Leak proof double O-ring spout design
- Stainless steel spout

SANIGUARD® Product Protection

- Permanently incorporated on all touch points of Encore plumbing fixtures
- Inorganic, silver ion technology inhibits growth of common bacteria, yeasts, mold and fungi, minimizes cross-contamination

SPECIFICATIONS:

Deck Mount Faucet to be Encore KL41-8201. Faucet body to be constructed of polished chrome plated brass with total lead content less than 0.25% by weighted average. Lever handles to be incorporated with SANIGUARD product protection. Supply inlets to be 8" on center. Valves to be 1/4-turn compression cartridges with integral check valves to prevent cross-flow and back-flow. Spout to be stainless steel swivel gooseneck style with leak proof double O-ring seal design. Color coded temperature indexes shall meet international standards. 6.0gpm wide rose spray standard with full flow stream bubbler screen spout tip. Faucet to include diverter assembly which allows water to be redirected from the spout to the spray hose automatically. Hose to be 96" flexible stainless steel clad with Santoprene® reinforced inner hose, stainless steel strain relief and O-ring seals. Angled sprayer to have full spray pattern and grip handle.

Dimensions shown in inches (mm) are for reference only and are subject to change.



COMPLIES WITH:
ASME A112.18.1-2005
CSA B125.1-05
NSF/ANSI 61/9, ANNEX G
SECTION 116875 OF THE
CALIFORNIA HEALTH & SAFETY CODE
(COMMONLY KNOWN AS AB1953)
VERMONT ACT 193
UNIFORM PLUMBING CODE

