

PROJECT NAME: _____

LOCATION: _____

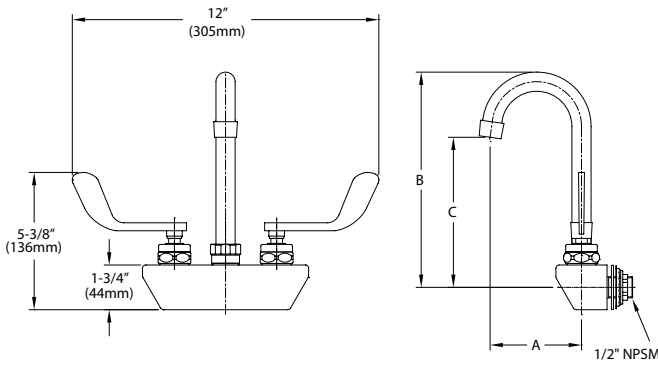
SPECIFIER ITEM NO. _____ **QTY:** _____

ENCORE PART NO. _____

Encore[®] 4" (102mm) Wall Mount Faucet with Adjustable Gooseneck Spout and 4" (102mm) Wrist Blade Handles

KL45-4x0x-SE4 Series

- KL45-4100-SE4 3" spout, ceramic valves
- KL45-4000-SE4 3" spout, compression valves
- KL45-4102-SE4 6" spout, ceramic valves
- KL45-4002-SE4 6" spout, compression valves
- KL45-4101-SE4 8" spout, ceramic valves
- KL45-4001-SE4 8" spout, compression valves



Dimensions shown in inches (mm) are for reference only and are subject to change.

1/2" NPSM Male Inlets

Operating Temperature: 40-180°F (5-83°C)

Operating Pressure: 15-125psi

Note: 1-1/8" (29mm) holes for backsplash are recommended to accommodate 1/2" supply nipples

Approximate shipping weight - 5 lbs

Warranty - 2 years parts

Solid heavy duty cast body is specification and commercial quality for hand sinks.

Commercial Quality Features

- Adjustable gooseneck spout design
- ADA-compliant 4" wrist blade handles
- Built-in check valves to prevent cross-flow and back-flow
- Leak proof double O-ring spout design
- Stainless steel spout

SANIGUARD[®] Product Protection

- Permanently incorporated on all touch points of Encore plumbing fixtures
- Inorganic, silver ion technology inhibits growth of common bacteria, yeasts, mold and fungi, minimizes cross-contamination

SPECIFICATIONS:

Wall Mount Faucet to be Encore KL45 Series in the following configuration:

- _____ KL45-4100-SE4 3" spout, ceramic valves
- _____ KL45-4000-SE4 3" spout, compression valves
- _____ KL45-4102-SE4 6" spout, ceramic valves
- _____ KL45-4002-SE4 6" spout, compression valves
- _____ KL45-4101-SE4 8" spout, ceramic valves
- _____ KL45-4001-SE4 8" spout, compression valves

Faucet body to be constructed of polished chrome plated brass with total lead content less than 0.25% by weighted average. 4" wrist blade handles to be incorporated with SANIGUARD treatment. Supply inlets to be 4" on center. Valves to be 1/4-turn with integral check valve to prevent cross-flow and back-flow. Spout to be stainless steel adjustable gooseneck style with leak proof double O-ring seal design. Color coded temperature indexes shall meet international standards. 2.2gpm aerator @ 60psi standard with full flow stream bubbler screen spout tip.

Model No.	A	B	C
KL45-4100-SE4	3-1/2" (89mm)	8-3/16" (208mm)	5-15/16" (151mm)
KL45-4000-SE4	3-1/2" (89mm)	8-3/16" (208mm)	5-15/16" (151mm)
KL45-4102-SE4	6" (152mm)	9-3/4" (248mm)	6" (152mm)
KL45-4002-SE4	6" (152mm)	9-3/4" (248mm)	6" (152mm)
KL45-4101-SE4	8" (203mm)	15-1/8" (384mm)	9-1/2" (241mm)
KL45-4001-SE4	8" (203mm)	15-1/8" (384mm)	9-1/2" (241mm)

For a complete list of available options for KL45-4000 Series, see product configurator on reverse.

COMPLIES WITH:
THE FEDERAL "REDUCTION OF LEAD IN DRINKING WATER ACT" -
2011 - US SENATE BILL NO. S.3874
NSF/ANSI 61/9, ANNEX G



Faucet Configuration for KL45-4000 Series

