

PROJECT NAME: _____

LOCATION: _____

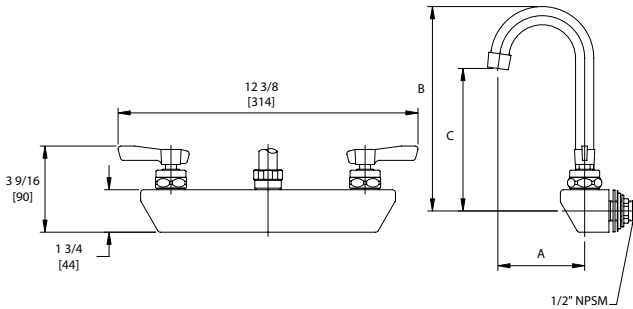
SPECIFIER ITEM NO. _____ **QTY:** _____

ENCORE PART NO. _____

Encore[®] 8" (203mm) Wall Mount Faucet with Adjustable Gooseneck Spout and Lever Handles

KL45-8x0x-SE1 Series

- KL45-8100-SE1 3" Spout, Ceramic Valves
- KL45-8000-SE1 3" Spout, Compression Valves
- KL45-8102-SE1 6" Spout, Ceramic Valves
- KL45-8002-SE1 6" Spout, Compression Valves
- KL45-8101-SE1 8" Spout, Ceramic Valves
- KL45-8001-SE1 8" Spout, Compression Valves



Dimensions shown in inches (mm) are for reference only and are subject to change.

1/2" NPSM Male Inlets

Operating Temperature: 40-180°F (5-83°C)

Operating Pressure: 15-125psi

Note: 1-1/8" (29mm) holes for deck are recommended to accommodate 1/2" supply nipples.

Approximate shipping weight - 5 lbs

Warranty - 2 years parts

Solid heavy duty cast body is specification and commercial quality for hand sinks.

Commercial Quality Features

- Adjustable gooseneck spout design
- ADA-compliant lever handles
- Built-in check valves to prevent cross-flow and back-flow
- Leak proof double O-ring spout design
- Stainless steel spout

SANIGUARD[®] Product Protection

- Permanently incorporated on all touch points of Encore plumbing fixtures
- Inorganic, silver ion technology inhibits growth of common bacteria, yeasts, mold and fungi, minimizes cross-contamination

SPECIFICATIONS:

Wall Mount Faucet to be Encore KL45 Series in the following configuration:

- _____ KL45-8100-SE1 3" Spout, Ceramic Valves
- _____ KL45-8000-SE1 3" Spout, Compression Valves
- _____ KL45-8102-SE1 6" Spout, Ceramic Valves
- _____ KL45-8002-SE1 6" Spout, Compression Valves
- _____ KL45-8101-SE1 8" Spout, Ceramic Valves
- _____ KL45-8001-SE1 8" Spout, Compression Valves

Faucet body to be constructed of polished chrome plated brass with total lead content less than 0.25% by weighted average. Lever handles to be incorporated with SANIGUARD treatment. Supply inlets to be 8" on center. Valves to be 1/4-turn with integral check valve to prevent cross-flow and back-flow. Spout to be stainless steel adjustable gooseneck style with leak proof double O-ring seal design. Color coded temperature indexes shall meet international standards. 2.2gpm aerator @ 60psi standard with full flow stream bubbler screen spout tip.

Model No.	A	B	C
KL45-8100-SE1	3-1/2" (89mm)	8-5/16" (211mm)	6-1/16" (154mm)
KL45-8000-SE1	3-1/2" (89mm)	8-5/16" (211mm)	6-1/16" (154mm)
KL45-8102-SE1	6" (152mm)	9-3/16" (233mm)	5-1/2" (140mm)
KL45-8002-SE1	6" (152mm)	9-3/16" (233mm)	5-1/2" (140mm)
KL45-8101-SE1	8" (203mm)	14-9/16" (370mm)	8-13/16" (224mm)
KL45-8001-SE1	8" (203mm)	14-9/16" (370mm)	8-13/16" (224mm)

For a complete list of available options for KL45-8000 Series, see product configurator on reverse.

COMPLIES WITH:
 THE FEDERAL "REDUCTION OF LEAD
 IN DRINKING WATER ACT" -
 2011 - US SENATE BILL NO. S.3874
 NSF/ANSI 61/9, ANNEX G



Faucet Configuration for KL45-8000 Series

